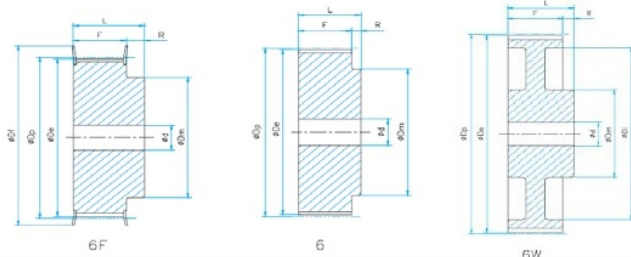


XL037 (For Belt - 5.08 Pitch x 9.53 Wide) 1/5" x 3/8"

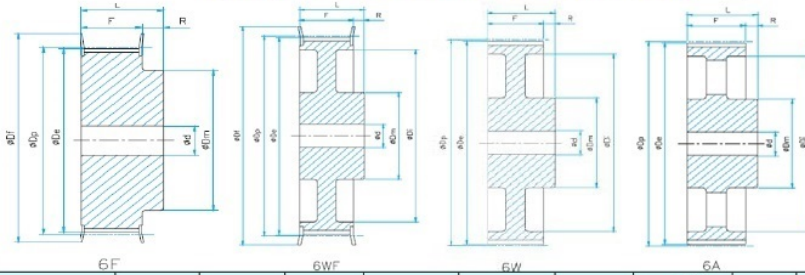


Notes:

Setscrew hole are available upon request
No surface treatment for aluminum pulley unless request
Flange dimension O.D.x I.D. x thickness

| Part No. | Teeth No. | type | Material | Dp | De | Df | Hub Dia. Dm | Di | Width F | Length L | Bore d | Flange Dimension |
|----------|-----------|------|----------|--------|--------|----|-------------|-----|---------|----------|--------|------------------|
| 10XL037 | 10 | 6F | Alu./St. | 16.17 | 15.66 | 23 | 9.5 | - | 14.3 | 20 | solid | 23x12.5x1.0 |
| 11XL037 | 11 | 6F | Alu./St. | 17.79 | 17.28 | 23 | 9.5 | - | 14.3 | 20 | solid | 23x12.5x1.0 |
| 12XL037 | 12 | 6F | Alu./St. | 19.4 | 18.9 | 25 | 10 | - | 14.3 | 20 | solid | 25x15x1.0 |
| 13XL037 | 13 | 6F | Alu./St. | 21.02 | 20.51 | 25 | 10 | - | 14.3 | 20 | solid | 25x15x1.0 |
| 14XL037 | 14 | 6F | Alu./St. | 22.64 | 22.13 | 28 | 15 | - | 14.3 | 20 | solid | 28x17.8x1.0 |
| 15XL037 | 15 | 6F | Alu./St. | 24.26 | 23.75 | 28 | 15 | - | 14.3 | 20 | solid | 28x17.8x1.0 |
| 16XL037 | 16 | 6F | Alu./St. | 25.87 | 25.36 | 32 | 16 | - | 14.3 | 20 | solid | 32x20x1.0 |
| 17XL037 | 17 | 6F | Alu./St. | 27.49 | 26.98 | 32 | 20 | - | 14.3 | 20 | solid | 32x23x1.0 |
| 18XL037 | 18 | 6F | Alu./St. | 29.11 | 28.6 | 35 | 20 | - | 14.3 | 20 | solid | 35x23x1.0 |
| 19XL037 | 19 | 6F | Alu./St. | 30.72 | 30.22 | 35 | 20 | - | 14.3 | 22 | solid | 35x23x1.0 |
| 20XL037 | 20 | 6F | Alu./St. | 32.34 | 31.83 | 38 | 24 | - | 14.3 | 22 | solid | 38x26.5x1.0 |
| 21XL037 | 21 | 6F | Alu./St. | 33.96 | 33.45 | 38 | 24 | - | 14.3 | 22 | solid | 38x26.5x1.0 |
| 22XL037 | 22 | 6F | Alu./St. | 35.57 | 35.07 | 41 | 25 | - | 14.3 | 22 | solid | 41x30x1.0 |
| 24XL037 | 24 | 6F | Alu./St. | 38.81 | 38.3 | 44 | 30 | - | 14.3 | 22 | solid | 44x32.5x1.0 |
| 26XL037 | 26 | 6F | Alu./St. | 42.04 | 41.53 | 48 | 30 | - | 14.3 | 22 | 8 | 48x37x1.0 |
| 27XL037 | 25 | 6F | Alu./St. | 43.66 | 43.15 | 48 | 34 | - | 14.3 | 22 | 8 | 48x37x1.0 |
| 28XL037 | 28 | 6F | Alu./St. | 45.28 | 44.77 | 51 | 34 | - | 14.3 | 22 | 8 | 51x40x1.0 |
| 29XL037 | 29 | 6F | Alu./St. | 46.89 | 46.39 | 51 | 34 | - | 14.3 | 22 | 8 | 51x40x1.0 |
| 30XL037 | 30 | 6F | Alu./St. | 48.51 | 48 | 54 | 38 | - | 14.3 | 22 | 8 | 54x43x1.0 |
| 32XL037 | 32 | 6F | Alu./St. | 51.74 | 51.24 | 57 | 38 | - | 14.3 | 25 | 8 | 57x47x1.0 |
| 34XL037 | 34 | 6 | Alu./St. | 54.98 | 54.47 | - | 45 | - | 14.3 | 25 | 8 | - |
| 36XL037 | 36 | 6 | Alu./St. | 58.21 | 57.7 | - | 45 | - | 14.3 | 25 | 8 | - |
| 38XL037 | 38 | 6 | Alu./St. | 61.45 | 60.94 | - | 45 | - | 14.3 | 25 | 8 | - |
| 40XL037 | 40 | 6 | Alu./St. | 64.68 | 64.17 | - | 45 | - | 14.3 | 25 | 8 | - |
| 42XL037 | 42 | 6 | Alu./St. | 67.91 | 67.41 | - | 45 | - | 14.3 | 25 | 8 | - |
| 44XL037 | 44 | 6 | Alu./St. | 71.15 | 70.64 | - | 45 | - | 14.3 | 25 | 8 | - |
| 46XL037 | 46 | 6W | Alu./St. | 74.38 | 73.87 | - | 45 | 61 | 14.3 | 25 | 10 | - |
| 48XL037 | 48 | 6W | Alu./St. | 77.62 | 77.11 | - | 45 | 61 | 14.3 | 25 | 10 | - |
| 52XL037 | 52 | 6W | Alu./St. | 84.08 | 83.58 | - | 45 | 67 | 14.3 | 25 | 10 | - |
| 56XL037 | 56 | 6W | Alu./St. | 90.55 | 90.04 | - | 45 | 80 | 14.3 | 25 | 10 | - |
| 58XL037 | 58 | 6W | Alu./St. | 93.79 | 93.28 | - | 45 | 80 | 14.3 | 25 | 10 | - |
| 60XL037 | 60 | 6W | Alu./St. | 97.02 | 96.51 | - | 45 | 80 | 14.3 | 25 | 10 | - |
| 68XL037 | 68 | 6W | Alu./St. | 109.96 | 109.45 | - | 45 | 100 | 14.3 | 25 | 10 | - |
| 70XL037 | 70 | 6W | Alu./St. | 113.19 | 112.68 | - | 45 | 100 | 14.3 | 25 | 10 | - |
| 72XL037 | 72 | 6W | Alu./St. | 116.42 | 115.92 | - | 45 | 100 | 14.3 | 25 | 10 | - |

L050 (For Belt - 9.525 Pitch x 12.7 Wide) 3/8"x 1/2"



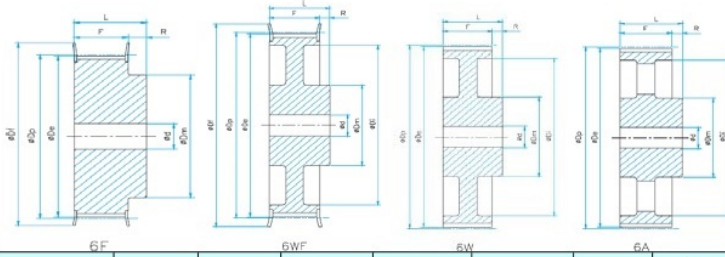
Notes:

Setscrew hole are available upon request

Flange dimension O.D.x I.D. x thickness

| Part No. | Teeth No. | Type | Mat'l | Dp | De | Df | Hub Dia. Dm | Di | Width F | Length L | Bore d | Flange Dimension |
|----------|-----------|------|-------|--------|--------|------|-------------|-----|---------|----------|--------|------------------|
| 10L050 | 10 | 6F | St. | 30.32 | 29.56 | 37 | 20 | - | 19 | 28 | 8 | 37.0x25.0x1.5 |
| 11L050 | 11 | 6F | St. | 33.35 | 32.59 | 37 | 22 | - | 19 | 30 | 8 | 37.0x25.0x1.5 |
| 12L050 | 12 | 6F | St. | 36.38 | 35.62 | 43 | 24 | - | 19 | 30 | 8 | 43.0x31.0x1.5 |
| 13L050 | 13 | 6F | St. | 39.41 | 38.65 | 44 | 28 | - | 19 | 30 | 8 | 44.0x32.5x1.5 |
| 14L050 | 14 | 6F | St. | 42.45 | 41.68 | 48 | 28 | - | 19 | 30 | 8 | 48.0x37.0x1.5 |
| 15L050 | 15 | 6F | St. | 45.48 | 44.72 | 51 | 34 | - | 19 | 30 | 8 | 51.0x38.5x1.5 |
| 16L050 | 16 | 6F | St. | 48.51 | 47.75 | 54 | 36 | - | 19 | 32 | 8 | 54.0x43.0x1.5 |
| 17L050 | 17 | 6F | St. | 51.54 | 50.78 | 57 | 36 | - | 19 | 32 | 10 | 57.0x46.0x1.5 |
| 18L050 | 18 | 6F | St. | 54.57 | 53.81 | 60 | 40 | - | 19 | 32 | 10 | 60.0x48.0x1.5 |
| 19L050 | 19 | 6F | St. | 57.61 | 56.84 | 64 | 40 | - | 19 | 32 | 10 | 64.0x47.0x1.5 |
| 20L050 | 20 | 6F | St. | 60.64 | 59.88 | 66.5 | 40 | - | 19 | 32 | 10 | 66.5x53.0x1.5 |
| 21L050 | 21 | 6F | St. | 63.67 | 62.91 | 70 | 45 | - | 19 | 32 | 10 | 70.0x53.0x1.5 |
| 22L050 | 22 | 6F | St. | 66.7 | 65.94 | 75 | 45 | - | 19 | 32 | 10 | 75.0x57.0x1.5 |
| 23L050 | 23 | 6F | St. | 69.73 | 68.97 | 79 | 55 | - | 19 | 32 | 10 | 79.0x60.0x1.5 |
| 24L050 | 24 | 6F | St. | 72.77 | 72 | 79 | 55 | - | 19 | 32 | 10 | 79.0x60.0x1.5 |
| 25L050 | 25 | 6F | St. | 75.8 | 75.04 | 82.5 | 58 | - | 19 | 32 | 10 | 82.5x64.0x1.5 |
| 26L050 | 26 | 6F | St. | 78.83 | 78.07 | 86 | 58 | - | 19 | 32 | 11 | 86.0x68.0x1.5 |
| 27L050 | 27 | 6F | St. | 81.86 | 81.1 | 86 | 58 | - | 19 | 32 | 11 | 86.0x68.0x1.5 |
| 28L050 | 28 | 6F | St. | 84.89 | 84.13 | 91 | 58 | - | 19 | 32 | 11 | 91.0x73.0x1.5 |
| 30L050 | 30 | 6F | St. | 90.96 | 90.2 | 97 | 70 | - | 19 | 32 | 11 | 97.0x79.0x1.5 |
| 32L050 | 32 | 6F | St. | 97.02 | 96.26 | 102 | 70 | - | 19 | 32 | 11 | 102x82.5x1.5 |
| 36L050 | 36 | 6F | St. | 109.15 | 108.39 | 115 | 70 | - | 19 | 32 | 11 | 115x94x1.5 |
| 40L050 | 40 | 6WF | St. | 121.28 | 120.51 | 128 | 70 | 100 | 19 | 32 | 11 | 128x107x1.5 |
| 42L050 | 42 | 6WF | St. | 127.34 | 126.58 | 135 | 70 | 106 | 19 | 32 | 11 | 135x115x1.5 |
| 44L050 | 44 | 6WF | St. | 133.4 | 132.64 | 142 | 70 | 112 | 19 | 32 | 11 | 142x120x1.5 |
| 48L050 | 48 | 6WF | St. | 145.53 | 144.77 | 150 | 70 | 124 | 19 | 32 | 11 | 150x130x1.5 |
| 50L050 | 50 | 6W | C.I. | 151.6 | 150.83 | - | 70 | 130 | 19 | 32 | 14 | - |
| 52L050 | 52 | 6W | C.I. | 157.66 | 156.9 | - | 70 | 136 | 19 | 32 | 14 | - |
| 56L050 | 56 | 6W | C.I. | 169.79 | 169.02 | - | 70 | 149 | 19 | 32 | 14 | - |
| 60L050 | 60 | 6W | C.I. | 181.91 | 181.15 | - | 75 | 160 | 19 | 42 | 14 | - |
| 72L050 | 72 | 6A | C.I. | 218.3 | 217.53 | - | 75 | 197 | 19 | 42 | 14 | - |
| 84L050 | 84 | 6A | C.I. | 254.68 | 253.92 | - | 75 | 233 | 19 | 42 | 14 | - |
| 90L050 | 90 | 6A | C.I. | 272.87 | 272.11 | - | 75 | 252 | 19 | 42 | 14 | - |
| 96L050 | 96 | 6A | C.I. | 291.06 | 290.3 | - | 75 | 269 | 19 | 42 | 14 | - |
| 120L050 | 120 | 6A | C.I. | 363.83 | 363.07 | - | 75 | 342 | 19 | 42 | 14 | - |

L075 (For Belt - 9.525 Pitch x 19.5 Wide) 3/8" x 3/4"



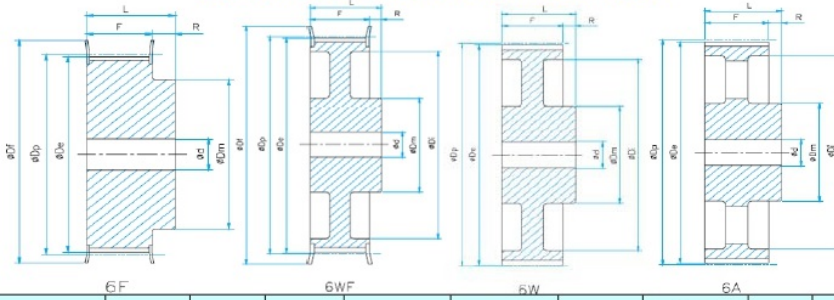
Notes:

Setscrew hole are available upon request

Flange dimension O.D.x I.D. x thickness

| Part No. | Teeth No. | Type | Mat'l | Dp | De | Df | Hub Dia. Dm | Di | Width F | Length L | Bore d | Flange Dimension |
|----------|-----------|------|-------|--------|--------|------|-------------|-----|---------|----------|--------|------------------|
| 10L075 | 10 | 6F | St. | 30.32 | 29.56 | 37 | 20 | - | 25.4 | 38 | 8 | 37.0x25.0x1.5 |
| 11L075 | 11 | 6F | St. | 33.35 | 32.59 | 37 | 22 | - | 25.4 | 38 | 8 | 37.0x25.0x1.5 |
| 12L075 | 12 | 6F | St. | 36.38 | 35.62 | 43 | 24 | - | 25.4 | 38 | 8 | 43.0x31.0x1.5 |
| 13L075 | 13 | 6F | St. | 39.41 | 38.65 | 44 | 28 | - | 25.4 | 38 | 8 | 44.0x32.5x1.5 |
| 14L075 | 14 | 6F | St. | 42.45 | 41.68 | 48 | 28 | - | 25.4 | 38 | 11 | 48.0x37.0x1.5 |
| 15L075 | 15 | 6F | St. | 45.48 | 44.72 | 51 | 34 | - | 25.4 | 38 | 11 | 51.0x38.5x1.5 |
| 16L075 | 16 | 6F | St. | 48.51 | 47.75 | 54 | 36 | - | 25.4 | 38 | 11 | 54.0x43.0x1.5 |
| 17L075 | 17 | 6F | St. | 51.54 | 50.78 | 57 | 36 | - | 25.4 | 38 | 11 | 57.0x46.0x1.5 |
| 18L075 | 18 | 6F | St. | 54.57 | 53.81 | 60 | 40 | - | 25.4 | 38 | 11 | 60.0x48.0x1.5 |
| 19L075 | 19 | 6F | St. | 57.61 | 56.84 | 64 | 40 | - | 25.4 | 38 | 11 | 64.0x47.0x1.5 |
| 20L075 | 20 | 6F | St. | 60.64 | 59.88 | 66.5 | 40 | - | 25.4 | 38 | 11 | 66.5x53.0x1.5 |
| 21L075 | 21 | 6F | St. | 63.67 | 62.91 | 70 | 45 | - | 25.4 | 38 | 11 | 70.0x53.0x1.5 |
| 22L075 | 22 | 6F | St. | 66.7 | 65.94 | 75 | 45 | - | 25.4 | 38 | 11 | 75.0x57.0x1.5 |
| 23L075 | 23 | 6F | St. | 69.73 | 68.97 | 79 | 55 | - | 25.4 | 38 | 11 | 79.0x60.0x1.5 |
| 24L075 | 24 | 6F | St. | 72.77 | 72 | 79 | 55 | - | 25.4 | 38 | 11 | 79.0x60.0x1.5 |
| 25L075 | 25 | 6F | St. | 75.8 | 75.04 | 82.5 | 58 | - | 25.4 | 38 | 11 | 82.5x64.0x1.5 |
| 26L075 | 26 | 6F | St. | 78.83 | 78.07 | 86 | 58 | - | 25.4 | 38 | 11 | 86.0x68.0x1.5 |
| 27L075 | 27 | 6F | St. | 81.86 | 81.1 | 86 | 58 | - | 25.4 | 38 | 11 | 86.0x68.0x1.5 |
| 28L075 | 28 | 6F | St. | 84.89 | 84.13 | 91 | 58 | - | 25.4 | 38 | 11 | 91.0x73.0x1.5 |
| 30L075 | 30 | 6F | St. | 90.96 | 90.2 | 97 | 70 | - | 25.4 | 38 | 11 | 97.0x79.0x1.5 |
| 32L075 | 32 | 6F | St. | 97.02 | 96.26 | 102 | 70 | - | 25.4 | 38 | 11 | 102x82.5x1.5 |
| 36L075 | 36 | 6F | St. | 109.15 | 108.39 | 115 | 70 | - | 25.4 | 38 | 11 | 115x94x1.5 |
| 40L075 | 40 | 6WF | St. | 121.28 | 120.51 | 128 | 70 | 100 | 25.4 | 38 | 11 | 128x107x1.5 |
| 42L075 | 42 | 6WF | St. | 127.34 | 126.58 | 135 | 70 | 106 | 25.4 | 38 | 11 | 135x115x1.5 |
| 44L075 | 44 | 6WF | St. | 133.4 | 132.64 | 142 | 70 | 112 | 25.4 | 38 | 11 | 142x120x1.5 |
| 48L075 | 48 | 6WF | St. | 145.53 | 144.77 | 150 | 70 | 124 | 25.4 | 38 | 11 | 150x130x1.5 |
| 50L075 | 50 | 6W | C.I. | 151.6 | 150.83 | - | 70 | 130 | 25.4 | 38 | 14 | - |
| 52L075 | 52 | 6W | C.I. | 157.66 | 156.9 | - | 70 | 136 | 25.4 | 38 | 14 | - |
| 56L075 | 56 | 6W | C.I. | 169.79 | 169.02 | - | 70 | 149 | 25.4 | 38 | 14 | - |
| 60L075 | 60 | 6W | C.I. | 181.91 | 181.15 | - | 75 | 160 | 25.4 | 45 | 14 | - |
| 72L075 | 72 | 6A | C.I. | 218.3 | 217.53 | - | 75 | 197 | 25.4 | 45 | 14 | - |
| 84L075 | 84 | 6A | C.I. | 254.68 | 253.92 | - | 75 | 233 | 25.4 | 45 | 14 | - |
| 90L075 | 90 | 6A | C.I. | 272.87 | 272.11 | - | 75 | 252 | 25.4 | 45 | 14 | - |
| 96L075 | 96 | 6A | C.I. | 291.06 | 290.3 | - | 75 | 269 | 25.4 | 45 | 14 | - |
| 120L075 | 120 | 6A | C.I. | 363.83 | 363.07 | - | 75 | 342 | 25.4 | 45 | 14 | - |

L100 (For Belt - 9.525 Pitch x 25.4 Wide) 3/8" x 1"



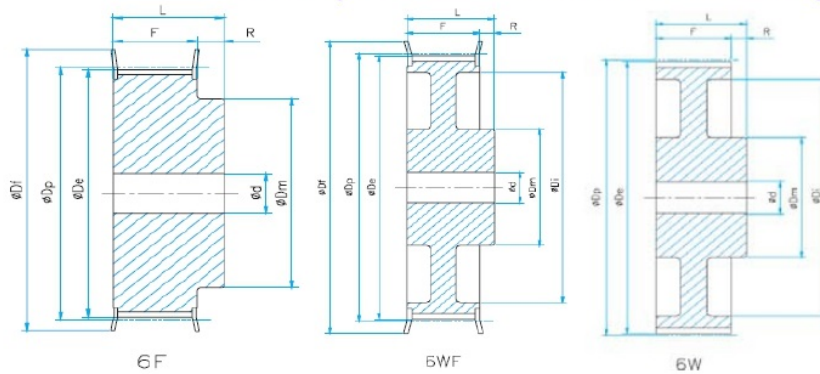
Notes:

Setscrew hole are available upon request

Flange dimension O.D.x I.D. x thickness

| Part No. | Teeth No. | Type | Mat'l | Dp | De | Df | Hub Dia. Dm | Di | Width F | Length L | Bore d | Flange Dimension |
|----------|-----------|------|-------|--------|--------|------|-------------|-----|---------|----------|--------|------------------|
| 10L100 | 10 | 6F | St. | 30.32 | 29.56 | 37 | 20 | - | 31.8 | 45 | 8 | 37.0x25.0x1.5 |
| 11L100 | 11 | 6F | St. | 33.35 | 32.59 | 37 | 22 | - | 31.8 | 45 | 8 | 37.0x25.0x1.5 |
| 12L100 | 12 | 6F | St. | 36.38 | 35.62 | 43 | 24 | - | 31.8 | 45 | 8 | 43.0x31.0x1.5 |
| 13L100 | 13 | 6F | St. | 39.41 | 38.65 | 44 | 28 | - | 31.8 | 45 | 8 | 44.0x32.5x1.5 |
| 14L100 | 14 | 6F | St. | 42.45 | 41.68 | 48 | 28 | - | 31.8 | 45 | 11 | 48.0x37.0x1.5 |
| 15L100 | 15 | 6F | St. | 45.48 | 44.72 | 51 | 34 | - | 31.8 | 45 | 11 | 51.0x38.5x1.5 |
| 16L100 | 16 | 6F | St. | 48.51 | 47.75 | 54 | 36 | - | 31.8 | 45 | 11 | 54.0x43.0x1.5 |
| 17L100 | 17 | 6F | St. | 51.54 | 50.78 | 57 | 36 | - | 31.8 | 45 | 11 | 57.0x46.0x1.5 |
| 18L100 | 18 | 6F | St. | 54.57 | 53.81 | 60 | 40 | - | 31.8 | 45 | 11 | 60.0x48.0x1.5 |
| 19L100 | 19 | 6F | St. | 57.61 | 56.84 | 64 | 40 | - | 31.8 | 45 | 11 | 64.0x47.0x1.5 |
| 20L100 | 20 | 6F | St. | 60.64 | 59.88 | 66.5 | 40 | - | 31.8 | 45 | 11 | 66.5x53.0x1.5 |
| 21L100 | 21 | 6F | St. | 63.67 | 62.91 | 70 | 45 | - | 31.8 | 45 | 11 | 70.0x53.0x1.5 |
| 22L100 | 22 | 6F | St. | 66.7 | 65.94 | 75 | 45 | - | 31.8 | 45 | 11 | 75.0x57.0x1.5 |
| 23L100 | 23 | 6F | St. | 69.73 | 68.97 | 79 | 55 | - | 31.8 | 45 | 11 | 79.0x60.0x1.5 |
| 24L100 | 24 | 6F | St. | 72.77 | 72 | 79 | 55 | - | 31.8 | 45 | 11 | 79.0x60.0x1.5 |
| 25L100 | 25 | 6F | St. | 75.8 | 75.04 | 82.5 | 58 | - | 31.8 | 45 | 11 | 82.5x64.0x1.5 |
| 26L100 | 26 | 6F | St. | 78.83 | 78.07 | 86 | 58 | - | 31.8 | 45 | 11 | 86.0x68.0x1.5 |
| 27L100 | 27 | 6F | St. | 81.86 | 81.1 | 86 | 58 | - | 31.8 | 45 | 11 | 86.0x68.0x1.5 |
| 28L100 | 28 | 6F | St. | 84.89 | 84.13 | 91 | 58 | - | 31.8 | 45 | 11 | 91.0x73.0x1.5 |
| 30L100 | 30 | 6F | St. | 90.96 | 90.2 | 97 | 70 | - | 31.8 | 45 | 11 | 97.0x79.0x1.5 |
| 32L100 | 32 | 6F | St. | 97.02 | 96.26 | 102 | 70 | - | 31.8 | 45 | 11 | 102x82.5x1.5 |
| 36L100 | 36 | 6F | St. | 109.15 | 108.39 | 115 | 70 | - | 31.8 | 45 | 11 | 115x94x1.5 |
| 40L100 | 40 | 6WF | St. | 121.28 | 120.51 | 128 | 70 | 100 | 31.8 | 45 | 11 | 128x107x1.5 |
| 42L100 | 42 | 6WF | St. | 127.34 | 126.58 | 135 | 70 | 106 | 31.8 | 45 | 11 | 135x115x1.5 |
| 44L100 | 44 | 6WF | St. | 133.4 | 132.64 | 142 | 70 | 112 | 31.8 | 45 | 11 | 142x120x1.5 |
| 48L100 | 48 | 6WF | St. | 145.53 | 144.77 | 150 | 70 | 124 | 31.8 | 45 | 11 | 150x130x1.5 |
| 50L100 | 50 | 6W | C.I. | 151.6 | 150.83 | - | 70 | 130 | 31.8 | 45 | 14 | - |
| 52L100 | 52 | 6W | C.I. | 157.66 | 156.9 | - | 70 | 136 | 31.8 | 45 | 14 | - |
| 56L100 | 56 | 6W | C.I. | 169.79 | 169.02 | - | 70 | 149 | 31.8 | 45 | 14 | - |
| 60L100 | 60 | 6W | C.I. | 181.91 | 181.15 | - | 75 | 160 | 31.8 | 50 | 14 | - |
| 72L100 | 72 | 6A | C.I. | 218.3 | 217.53 | - | 75 | 197 | 31.8 | 50 | 14 | - |
| 84L100 | 84 | 6A | C.I. | 254.68 | 253.92 | - | 75 | 233 | 31.8 | 50 | 14 | - |
| 90L100 | 90 | 6A | C.I. | 272.87 | 272.11 | - | 75 | 252 | 31.8 | 50 | 14 | - |
| 96L100 | 96 | 6A | C.I. | 291.06 | 290.3 | - | 75 | 269 | 31.8 | 50 | 14 | - |
| 120L100 | 120 | 6A | C.I. | 363.83 | 363.07 | - | 75 | 342 | 31.8 | 50 | 14 | - |

H075 (For Belt - 12.7 Pitch x 19.05 Wide) 1/2" x 3/4"



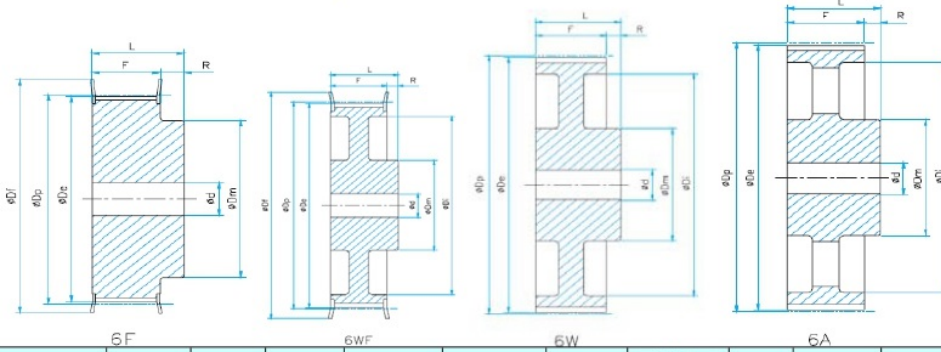
Notes:

Setscrew hole are available upon request

Flange dimension O.D.x I.D. x thickness

| Part No. | Teeth No. | Type | Mat'l | Dp | De | Df | Hub Dia. Dm | Di | Width F | Length L | Bore d | Flange Dimension |
|----------|-----------|------|-------|-------|--------|------|-------------|-----|---------|----------|--------|------------------|
| 14 H 075 | 14 | 6F | St. | 56.6 | 55.22 | 64 | 40 | - | 26.4 | 40 | 8 | 64.0x47.0x1.5 |
| 15 H 075 | 15 | 6F | St. | 60.64 | 59.27 | 66.5 | 45 | - | 26.4 | 40 | 8 | 66.5x53.0x1.5 |
| 16 H 075 | 16 | 6F | St. | 64.68 | 63.31 | 70 | 45 | - | 26.4 | 40 | 8 | 70.0x53.0x1.5 |
| 17 H 075 | 17 | 6F | St. | 68.72 | 67.35 | 75 | 45 | - | 26.4 | 40 | 8 | 75.0x57.0x1.5 |
| 18 H 075 | 18 | 6F | St. | 68.72 | 71.39 | 79 | 55 | - | 26.4 | 40 | 11 | 79.0x60.0x1.5 |
| 19 H 075 | 19 | 6F | St. | 68.72 | 75.44 | 82.5 | 60 | - | 26.4 | 40 | 11 | 82.5x64.0x1.5 |
| 20 H 075 | 20 | 6F | St. | 68.72 | 79.48 | 87 | 62 | - | 26.4 | 40 | 11 | 87.0x72.0x1.5 |
| 21 H 075 | 21 | 6F | St. | 68.72 | 83.52 | 91 | 65 | - | 26.4 | 40 | 11 | 91.0x73.0x1.5 |
| 22 H 075 | 22 | 6F | St. | 68.72 | 87.56 | 94 | 68 | - | 26.4 | 40 | 11 | 94.0x76.0x1.5 |
| 23 H 075 | 23 | 6F | St. | 68.72 | 91.61 | 97 | 72 | - | 26.4 | 40 | 11 | 97.0x79.0x1.5 |
| 24 H 075 | 24 | 6F | St. | 68.72 | 95.65 | 102 | 72 | - | 26.4 | 40 | 11 | 102.0x82.5x1.5 |
| 25 H 075 | 25 | 6F | St. | 68.72 | 99.69 | 106 | 72 | - | 26.4 | 40 | 11 | 106.0x86.0x1.5 |
| 26 H 075 | 26 | 6F | St. | 68.72 | 103.73 | 112 | 80 | - | 26.4 | 40 | 11 | 112.0x91.0x1.5 |
| 27 H 075 | 27 | 6F | St. | 68.72 | 107.78 | 115 | 80 | - | 26.4 | 40 | 11 | 115.0x94.0x1.5 |
| 28 H 075 | 28 | 6F | St. | 68.72 | 111.82 | 120 | 80 | - | 26.4 | 40 | 11 | 120.0x99.5x1.5 |
| 29 H 075 | 29 | 6F | St. | 68.72 | 115.86 | 120 | 80 | - | 26.4 | 40 | 11 | 128.0x107.0x1.5 |
| 30 H 075 | 30 | 6F | St. | 68.72 | 119.9 | 128 | 80 | - | 26.4 | 40 | 11 | 128.0x107.0x1.5 |
| 32 H 075 | 32 | 6F | St. | 68.72 | 127.99 | 135 | 80 | - | 26.4 | 40 | 11 | 135.0x115.0x1.5 |
| 33 H 075 | 33 | 6F | St. | 68.72 | 132.03 | 142 | 80 | - | 26.4 | 40 | 11 | 142.0x120.0x1.5 |
| 34 H 075 | 34 | 6F | St. | 68.72 | 136.07 | 142 | 80 | - | 26.4 | 40 | 11 | 142.0x120.0x1.5 |
| 35 H 075 | 35 | 6F | St. | 68.72 | 140.12 | 150 | 80 | - | 26.4 | 40 | 11 | 150.0x130.0x1.5 |
| 36 H 075 | 36 | 6F | St. | 68.72 | 144.16 | 150 | 80 | - | 26.4 | 40 | 11 | 150.0x130.0x1.5 |
| 38 H 075 | 38 | 6F | St. | 68.72 | 152.24 | 158 | 80 | - | 26.4 | 40 | 11 | 158.0x138.5x1.5 |
| 40 H 075 | 40 | 6F | St. | 68.72 | 160.33 | 168 | 80 | - | 26.4 | 40 | 11 | 168.0x148.0x1.5 |
| 42 H 075 | 42 | 6F | St. | 68.72 | 168.41 | 180 | 80 | - | 26.4 | 40 | 11 | 180.0x154.0x1.5 |
| 44 H 075 | 44 | 6WF | C.I. | 68.72 | 176.5 | 184 | 80 | 150 | 26.4 | 40 | 14 | 184.0x162.0x1.5 |
| 45 H 075 | 45 | 6WF | C.I. | 68.72 | 180.54 | 192 | 80 | 154 | 26.4 | 40 | 14 | 192.0x165.0x1.5 |
| 48 H 075 | 48 | 6WF | C.I. | 68.72 | 192.67 | 200 | 90 | 166 | 26.4 | 40 | 14 | 200.0x180.0x1.5 |
| 49 H 075 | 49 | 6W | C.I. | 68.72 | 196.71 | - | 90 | 170 | 26.4 | 40 | 14 | - |
| 50 H 075 | 50 | 6W | C.I. | 68.72 | 200.75 | - | 90 | 174 | 26.4 | 40 | 14 | - |

H100 (For Belt - 12.7 Pitch x 25.4 Wide) 1/2" x 1"



| Part No. | Teeth No. | Type | Mat'l | Dp | De | Df | Hub Dia. Dm | Di | Width F | Length L | Bore d | Flange Dimension |
|----------|-----------|------|-------|--------|--------|------|-------------|-----|---------|----------|--------|------------------|
| 14 H 100 | 14 | 6F | St. | 56.6 | 55.22 | 64 | 40 | - | 31.8 | 45 | 11 | 64.0x47.0x1.5 |
| 15 H 100 | 15 | 6F | St. | 60.64 | 59.27 | 66.5 | 45 | - | 31.8 | 45 | 11 | 66.5x53.0x1.5 |
| 16 H 100 | 16 | 6F | St. | 64.68 | 63.31 | 70 | 45 | - | 31.8 | 45 | 11 | 70.0x53.0x1.5 |
| 17 H 100 | 17 | 6F | St. | 68.72 | 67.35 | 75 | 45 | - | 31.8 | 45 | 11 | 75.0x57.0x1.5 |
| 18 H 100 | 18 | 6F | St. | 72.77 | 71.39 | 79 | 55 | - | 31.8 | 45 | 14 | 79.0x60.0x1.5 |
| 19 H 100 | 19 | 6F | St. | 76.81 | 75.44 | 82.5 | 60 | - | 31.8 | 45 | 14 | 82.5x64.0x1.5 |
| 20 H 100 | 20 | 6F | St. | 80.85 | 79.48 | 87 | 62 | - | 31.8 | 45 | 14 | 87.0x72.0x1.5 |
| 21 H 100 | 21 | 6F | St. | 84.89 | 83.52 | 91 | 65 | - | 31.8 | 45 | 14 | 91.0x73.0x1.5 |
| 22 H 100 | 22 | 6F | St. | 88.94 | 87.56 | 94 | 68 | - | 31.8 | 45 | 14 | 94.0x76.0x1.5 |
| 23 H 100 | 23 | 6F | St. | 92.98 | 91.61 | 97 | 72 | - | 31.8 | 45 | 14 | 97.0x79.0x1.5 |
| 24 H 100 | 24 | 6F | St. | 97.02 | 95.65 | 102 | 72 | - | 31.8 | 45 | 14 | 102.0x82.5x1.5 |
| 25 H 100 | 25 | 6F | St. | 101.06 | 99.69 | 106 | 72 | - | 31.8 | 45 | 14 | 106.0x86.0x1.5 |
| 26 H 100 | 26 | 6F | St. | 105.11 | 103.73 | 112 | 80 | - | 31.8 | 45 | 14 | 112.0x91.0x1.5 |
| 27 H 100 | 27 | 6F | St. | 109.15 | 107.78 | 115 | 80 | - | 31.8 | 45 | 14 | 115.0x94.0x1.5 |
| 28 H 100 | 28 | 6F | St. | 113.19 | 111.82 | 120 | 80 | - | 31.8 | 45 | 14 | 120.0x99.5x1.5 |
| 29 H 100 | 29 | 6F | St. | 117.23 | 115.86 | 120 | 80 | - | 31.8 | 45 | 14 | 128.0x107.0x1.5 |
| 30 H 100 | 30 | 6F | St. | 121.28 | 119.9 | 128 | 80 | - | 31.8 | 45 | 14 | 128.0x107.0x1.5 |
| 32 H 100 | 32 | 6F | St. | 129.36 | 127.99 | 135 | 80 | - | 31.8 | 45 | 14 | 135.0x115.0x1.5 |
| 33 H 100 | 33 | 6F | St. | 133.4 | 132.03 | 142 | 80 | - | 31.8 | 45 | 14 | 142.0x120.0x1.5 |
| 34 H 100 | 34 | 6F | St. | 137.45 | 136.07 | 142 | 80 | - | 31.8 | 45 | 14 | 142.0x120.0x1.5 |
| 35 H 100 | 35 | 6F | St. | 141.49 | 140.12 | 150 | 80 | - | 31.8 | 45 | 14 | 150.0x130.0x1.5 |
| 36 H 100 | 36 | 6WF | St. | 145.53 | 144.16 | 150 | 80 | - | 31.8 | 45 | 14 | 150.0x130.0x1.5 |
| 38 H 100 | 38 | 6WF | St. | 153.62 | 152.24 | 158 | 80 | - | 31.8 | 45 | 14 | 158.0x138.5x1.5 |
| 40 H 100 | 40 | 6WF | St. | 161.7 | 160.33 | 168 | 80 | - | 31.8 | 45 | 14 | 168.0x148.0x1.5 |
| 42 H 100 | 42 | 6WF | St. | 169.79 | 168.41 | 180 | 80 | - | 31.8 | 45 | 14 | 180.0x154.0x1.5 |
| 44 H 100 | 44 | 6WF | C.I. | 177.87 | 176.5 | 184 | 80 | 150 | 31.8 | 50 | 14 | 184.0x162.0x1.5 |
| 45 H 100 | 45 | 6WF | C.I. | 181.91 | 180.54 | 192 | 80 | 154 | 31.8 | 50 | 14 | 192.0x165.0x1.5 |
| 48 H 100 | 48 | 6WF | C.I. | 194.04 | 192.67 | 200 | 90 | 166 | 31.8 | 50 | 14 | 200.0x180.0x1.5 |
| 49 H 100 | 49 | 6W | C.I. | 198.08 | 196.71 | - | 90 | 170 | 31.8 | 50 | 19 | - |
| 50 H 100 | 50 | 6W | C.I. | 202.13 | 200.75 | - | 90 | 174 | 31.8 | 50 | 19 | - |

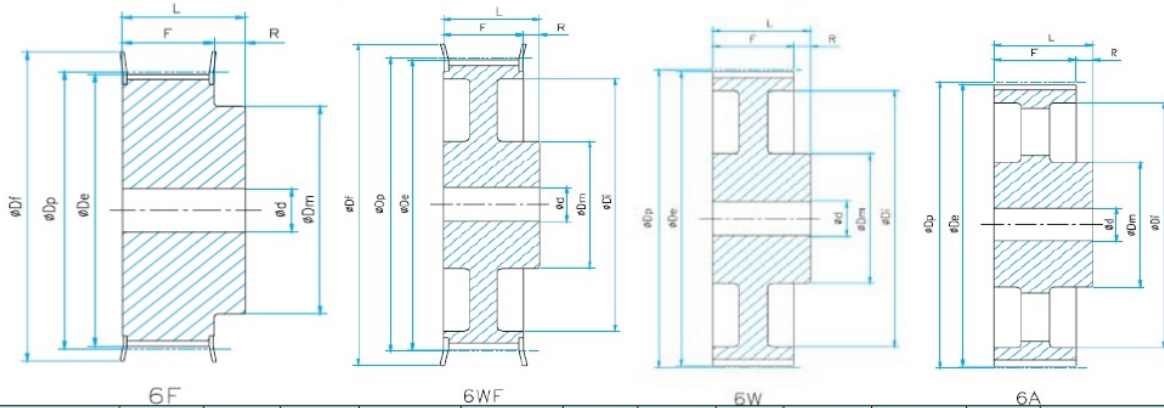
| Part No. | Teeth No. | Type | Mat'l | Dp | De | Df | Hub Dia. Dm | Di | Width F | Length L | Bore d | Flange Dimension |
|-----------|-----------|------|-------|--------|--------|----|-------------|-----|---------|----------|--------|------------------|
| 52 H 100 | 52 | 6W | C.I. | 210.21 | 208.84 | - | 90 | 182 | 31.8 | 50 | 19 | - |
| 58 H 100 | 58 | 6A | C.I. | 234.47 | 233.09 | - | 90 | 207 | 31.8 | 50 | 19 | - |
| 60 H 100 | 60 | 6A | C.I. | 242.55 | 241.18 | - | 90 | 215 | 31.8 | 50 | 19 | - |
| 70 H 100 | 70 | 6A | C.I. | 282.98 | 281.61 | - | 100 | 255 | 31.8 | 55 | 19 | - |
| 72 H 100 | 72 | 6A | C.I. | 291.06 | 289.69 | - | 100 | 263 | 31.8 | 55 | 19 | - |
| 82 H 100 | 82 | 6A | C.I. | 331.49 | 330.12 | - | 100 | 304 | 31.8 | 55 | 19 | - |
| 84 H 100 | 84 | 6A | C.I. | 339.57 | 338.2 | - | 100 | 312 | 31.8 | 55 | 19 | - |
| 94 H 100 | 94 | 6A | C.I. | 380 | 378.63 | - | 120 | 352 | 31.8 | 60 | 19 | - |
| 96 H 100 | 96 | 6A | C.I. | 388.08 | 386.71 | - | 120 | 360 | 31.8 | 60 | 19 | - |
| 106 H 100 | 106 | 6A | C.I. | 428.51 | 427.14 | - | 120 | 401 | 31.8 | 60 | 19 | - |
| 116 H 100 | 116 | 6A | C.I. | 468.93 | 467.56 | - | 120 | 441 | 31.8 | 60 | 19 | - |
| 118 H 100 | 118 | 6A | C.I. | 477.02 | 475.65 | - | 120 | 449 | 31.8 | 60 | 19 | - |
| 120 H 100 | 120 | 6A | C.I. | 485.1 | 483.73 | - | 120 | 458 | 31.8 | 60 | 19 | - |
| 150 H 100 | 150 | 6A | C.I. | 606.38 | 605.01 | - | 120 | 579 | 31.8 | 60 | 19 | - |
| 152 H 100 | 152 | 6A | C.I. | 614.47 | 613.09 | - | 120 | 587 | 31.8 | 60 | 19 | - |
| 154 H 100 | 154 | 6A | C.I. | 622.55 | 621.18 | - | 120 | 595 | 31.8 | 60 | 19 | - |
| 156 H 100 | 156 | 6A | C.I. | 630.64 | 629.26 | - | 120 | 603 | 31.8 | 60 | 19 | - |

Notes:

Setscrew hole are available upon request

Flange dimension O.D.x I.D. x thickness

H150 (For Belt - 12.7 Pitch x 38.1 Wide) 1/2"x 1-1/2"



| Part No. | Teeth No. | Type | Mat'l | 6F | | | 6WF | | 6W | | 6A | |
|----------|-----------|------|-------|--------|--------|------|-------------|-----|---------|----------|--------|------------------|
| | | | | Dp | De | Df | Hub Dia. Dm | Di | Width F | Length L | Bore d | Flange Dimension |
| 14 H 150 | 14 | 6F | St. | 56.6 | 55.22 | 64 | 40 | - | 46 | 58 | 11 | 64.0x47.0x1.5 |
| 15 H 150 | 15 | 6F | St. | 60.64 | 59.27 | 66.5 | 45 | - | 46 | 58 | 11 | 66.5x53.0x1.5 |
| 16 H 150 | 16 | 6F | St. | 64.68 | 63.31 | 70 | 45 | - | 46 | 58 | 11 | 70.0x53.0x1.5 |
| 17 H 150 | 17 | 6F | St. | 68.72 | 67.35 | 75 | 45 | - | 46 | 58 | 11 | 75.0x57.0x1.5 |
| 18 H 150 | 18 | 6F | St. | 72.77 | 71.39 | 79 | 55 | - | 46 | 58 | 14 | 79.0x60.0x1.5 |
| 19 H 150 | 19 | 6F | St. | 76.81 | 75.44 | 82.5 | 60 | - | 46 | 58 | 14 | 82.5x64.0x1.5 |
| 20 H 150 | 20 | 6F | St. | 80.85 | 79.48 | 87 | 62 | - | 46 | 58 | 14 | 86.0x68.0x1.5 |
| 21 H 150 | 21 | 6F | St. | 84.89 | 83.52 | 91 | 65 | - | 46 | 58 | 14 | 91.0x73.0x1.5 |
| 22 H 150 | 22 | 6F | St. | 88.94 | 87.56 | 94 | 68 | - | 46 | 58 | 14 | 94.0x76.0x1.5 |
| 23 H 150 | 23 | 6F | St. | 92.98 | 91.61 | 97 | 72 | - | 46 | 58 | 14 | 97.0x79.0x1.5 |
| 24 H 150 | 24 | 6F | St. | 97.02 | 95.65 | 102 | 72 | - | 46 | 58 | 14 | 102.0x82.5x1.5 |
| 25 H 150 | 25 | 6F | St. | 101.06 | 99.69 | 106 | 72 | - | 46 | 58 | 14 | 106.0x86.0x1.5 |
| 26 H 150 | 26 | 6F | St. | 105.11 | 103.73 | 112 | 80 | - | 46 | 58 | 14 | 112.0x91.0x1.5 |
| 27 H 150 | 27 | 6F | St. | 109.15 | 107.78 | 115 | 80 | - | 46 | 58 | 14 | 115.0x94.0x1.5 |
| 28 H 150 | 28 | 6F | St. | 113.19 | 111.82 | 120 | 80 | - | 46 | 58 | 14 | 120.0x99.5x1.5 |
| 29 H 150 | 29 | 6F | St. | 117.23 | 115.86 | 120 | 80 | - | 46 | 58 | 14 | 128.0x107.0x1.5 |
| 30 H 150 | 30 | 6F | St. | 121.28 | 119.9 | 128 | 80 | - | 46 | 58 | 14 | 128.0x107.0x1.5 |
| 32 H 150 | 32 | 6F | St. | 129.36 | 127.99 | 135 | 80 | - | 46 | 58 | 14 | 135.0x115.0x1.5 |
| 33 H 150 | 33 | 6F | St. | 133.4 | 132.03 | 142 | 80 | - | 46 | 58 | 14 | 142.0x120.0x1.5 |
| 34 H 150 | 34 | 6F | St. | 137.45 | 136.07 | 142 | 80 | - | 46 | 58 | 14 | 142.0x120.0x1.5 |
| 35 H 150 | 35 | 6F | St. | 141.49 | 140.12 | 150 | 80 | - | 46 | 58 | 14 | 150.0x130.0x1.5 |
| 36 H 150 | 36 | 6WF | St. | 145.53 | 144.16 | 150 | 80 | 118 | 46 | 58 | 14 | 150.0x130.0x1.5 |
| 38 H 150 | 38 | 6WF | St. | 153.62 | 152.24 | 158 | 80 | 126 | 46 | 58 | 14 | 158.0x138.5x1.5 |
| 40 H 150 | 40 | 6WF | St. | 161.7 | 160.33 | 168 | 80 | 134 | 46 | 58 | 14 | 168.0x148.0x1.5 |
| 42 H 150 | 42 | 6WF | St. | 169.79 | 168.41 | 180 | 80 | 140 | 46 | 58 | 19 | 180.0x154.0x1.5 |
| 44 H 150 | 44 | 6WF | C.I. | 177.87 | 176.5 | 184 | 80 | 150 | 46 | 58 | 19 | 184.0x162.0x1.5 |
| 45 H 150 | 45 | 6WF | C.I. | 181.91 | 180.54 | 192 | 80 | 154 | 46 | 58 | 19 | 192.0x165.0x1.5 |
| 48 H 150 | 48 | 6WF | C.I. | 194.04 | 192.67 | 200 | 90 | 166 | 46 | 65 | 19 | 200.0x180.0x1.5 |
| 49 H 150 | 49 | 6W | C.I. | 198.08 | 196.71 | - | 90 | 170 | 46 | 65 | 19 | - |
| 50 H 150 | 50 | 6W | C.I. | 202.13 | 200.75 | - | 90 | 174 | 46 | 65 | 19 | - |

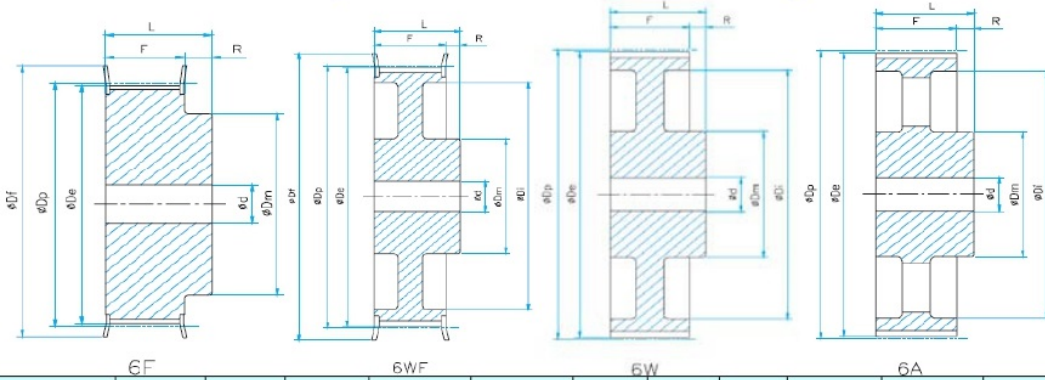
| Part No. | Teeth No. | Type | Mat'l | Dp | De | Df | Hub Dia. Dm | Di | Width F | Length L | Bore d | Flange Dimension |
|-----------|-----------|------|-------|--------|--------|----|-------------|-----|---------|----------|--------|------------------|
| 52 H 150 | 52 | 6W | C.I. | 210.21 | 208.84 | - | 90 | 182 | 46 | 65 | 19 | - |
| 58 H 150 | 58 | 6A | C.I. | 234.47 | 233.09 | - | 90 | 207 | 46 | 65 | 19 | - |
| 60 H 150 | 60 | 6A | C.I. | 242.55 | 241.18 | - | 90 | 215 | 46 | 65 | 19 | - |
| 70 H 150 | 70 | 6A | C.I. | 282.98 | 281.61 | - | 100 | 255 | 46 | 65 | 24 | - |
| 72 H 150 | 72 | 6A | C.I. | 291.06 | 289.69 | - | 100 | 263 | 46 | 65 | 24 | - |
| 82 H 150 | 82 | 6A | C.I. | 331.49 | 330.12 | - | 100 | 304 | 46 | 65 | 24 | - |
| 84 H 150 | 84 | 6A | C.I. | 339.57 | 338.2 | - | 100 | 312 | 46 | 65 | 24 | - |
| 94 H 150 | 94 | 6A | C.I. | 380 | 378.63 | - | 120 | 352 | 46 | 65 | 24 | - |
| 96 H 150 | 96 | 6A | C.I. | 388.08 | 386.71 | - | 120 | 360 | 46 | 65 | 24 | - |
| 106 H 150 | 106 | 6A | C.I. | 428.51 | 427.14 | - | 120 | 401 | 46 | 65 | 24 | - |
| 116 H 150 | 116 | 6A | C.I. | 468.93 | 467.56 | - | 120 | 441 | 46 | 65 | 24 | - |
| 118 H 150 | 118 | 6A | C.I. | 477.02 | 475.65 | - | 120 | 449 | 46 | 65 | 24 | - |
| 120 H 150 | 120 | 6A | C.I. | 485.1 | 483.73 | - | 120 | 458 | 46 | 65 | 24 | - |
| 150 H 150 | 150 | 6A | C.I. | 606.38 | 605.01 | - | 120 | 579 | 46 | 65 | 24 | - |
| 152 H 150 | 152 | 6A | C.I. | 614.47 | 613.09 | - | 120 | 587 | 46 | 65 | 24 | - |
| 154 H 150 | 154 | 6A | C.I. | 622.55 | 621.18 | - | 120 | 595 | 46 | 65 | 24 | - |
| 156 H 150 | 156 | 6A | C.I. | 630.64 | 629.26 | - | 120 | 603 | 46 | 65 | 24 | - |

Notes:

Setscrew hole are available upon request

Flange dimension O.D.x I.D. x thickness

H200 (For Belt - 12.7 Pitch x 50.8 Wide) 1/2"x 2"



| Part No. | Teeth No. | Type | Mat'l | Dp | De | Df | Hub Dia. Dm | Di | Width F | Length L | Bore d | Flange Dimension |
|----------|-----------|------|-------|--------|--------|------|-------------|-----|---------|----------|--------|------------------|
| 14 H 200 | 14 | 6F | St. | 56.6 | 55.22 | 64 | 40 | - | 58.7 | 70 | 11 | 64.0x47.0x1.5 |
| 15 H 200 | 15 | 6F | St. | 60.64 | 59.27 | 66.5 | 45 | - | 58.7 | 70 | 11 | 66.5x53.0x1.5 |
| 16 H 200 | 16 | 6F | St. | 64.68 | 63.31 | 70 | 45 | - | 58.7 | 70 | 11 | 70.0x53.0x1.5 |
| 17 H 200 | 17 | 6F | St. | 68.72 | 67.35 | 75 | 45 | - | 58.7 | 70 | 11 | 75.0x57.0x1.5 |
| 18 H 200 | 18 | 6F | St. | 72.77 | 71.39 | 79 | 55 | - | 58.7 | 70 | 14 | 79.0x60.0x1.5 |
| 19 H 200 | 19 | 6F | St. | 76.81 | 75.44 | 82.5 | 60 | - | 58.7 | 70 | 14 | 82.5x64.0x1.5 |
| 20 H 200 | 20 | 6F | St. | 80.85 | 79.48 | 87 | 62 | - | 58.7 | 70 | 14 | 87.0x72.0x1.5 |
| 21 H 200 | 21 | 6F | St. | 84.89 | 83.52 | 91 | 65 | - | 58.7 | 70 | 14 | 91.0x73.0x1.5 |
| 22 H 200 | 22 | 6F | St. | 88.94 | 87.56 | 94 | 68 | - | 58.7 | 70 | 14 | 94.0x76.0x1.5 |
| 23 H 200 | 23 | 6F | St. | 92.98 | 91.61 | 97 | 72 | - | 58.7 | 70 | 14 | 97.0x79.0x1.5 |
| 24 H 200 | 24 | 6F | St. | 97.02 | 95.65 | 102 | 72 | - | 58.7 | 70 | 14 | 102.0x82.5x1.5 |
| 25 H 200 | 25 | 6F | St. | 101.06 | 99.69 | 106 | 72 | - | 58.7 | 70 | 14 | 106.0x86.0x1.5 |
| 26 H 200 | 26 | 6F | St. | 105.11 | 103.73 | 112 | 80 | - | 58.7 | 70 | 14 | 112.0x91.0x1.5 |
| 27 H 200 | 27 | 6F | St. | 109.15 | 107.78 | 115 | 80 | - | 58.7 | 70 | 14 | 115.0x94.0x1.5 |
| 28 H 200 | 28 | 6F | St. | 113.19 | 111.82 | 120 | 80 | - | 58.7 | 70 | 14 | 120.0x99.5x1.5 |
| 29 H 200 | 29 | 6F | St. | 117.23 | 115.86 | 120 | 80 | - | 58.7 | 70 | 14 | 128.0x107.0x1.5 |
| 30 H 200 | 30 | 6F | St. | 121.28 | 119.9 | 128 | 80 | - | 58.7 | 70 | 14 | 128.0x107.0x1.5 |
| 32 H 200 | 32 | 6F | St. | 129.36 | 127.99 | 135 | 80 | - | 58.7 | 70 | 14 | 135.0x115.0x1.5 |
| 33 H 200 | 33 | 6F | St. | 133.4 | 132.03 | 142 | 80 | - | 58.7 | 70 | 14 | 142.0x120.0x1.5 |
| 34 H 200 | 34 | 6F | St. | 137.45 | 136.07 | 142 | 80 | - | 58.7 | 70 | 14 | 142.0x120.0x1.5 |
| 35 H 200 | 35 | 6F | St. | 141.49 | 140.12 | 150 | 80 | - | 58.7 | 70 | 14 | 150.0x130.0x1.5 |
| 36 H 200 | 36 | 6WF | St. | 145.53 | 144.16 | 150 | 80 | 118 | 58.7 | 70 | 14 | 150.0x130.0x1.5 |
| 38 H 200 | 38 | 6WF | St. | 153.62 | 152.24 | 158 | 80 | 126 | 58.7 | 70 | 14 | 158.0x138.5x1.5 |
| 40 H 200 | 40 | 6WF | St. | 161.7 | 160.33 | 168 | 80 | 134 | 58.7 | 70 | 14 | 168.0x148.0x1.5 |
| 42 H 200 | 42 | 6WF | St. | 169.79 | 168.41 | 180 | 80 | 140 | 58.7 | 70 | 19 | 180.0x154.0x1.5 |
| 44 H 200 | 44 | 6WF | C.I. | 177.87 | 176.5 | 184 | 80 | 150 | 58.7 | 70 | 19 | 184.0x162.0x1.5 |
| 45 H 200 | 45 | 6WF | C.I. | 181.91 | 180.54 | 192 | 80 | 154 | 58.7 | 70 | 19 | 192.0x165.0x1.5 |
| 48 H 200 | 48 | 6WF | C.I. | 194.04 | 192.67 | 200 | 90 | 166 | 58.7 | 75 | 24 | 200.0x180.0x1.5 |
| 49 H 200 | 49 | 6W | C.I. | 198.08 | 196.71 | - | 90 | 170 | 58.7 | 75 | 24 | - |
| 50 H 200 | 50 | 6W | C.I. | 202.13 | 200.75 | - | 90 | 174 | 58.7 | 75 | 24 | - |

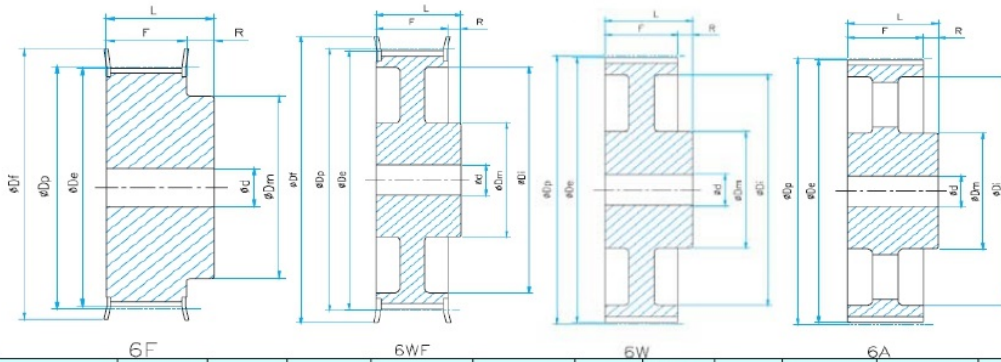
| Part No. | Teeth No. | Type | Mat'l | Dp | De | Df | Hub Dia. Dm | Di | Width F | Length L | Bore d | Flange Dimension |
|-----------|-----------|------|-------|--------|--------|----|-------------|-----|---------|----------|--------|------------------|
| 52 H 200 | 52 | 6W | C.I. | 210.21 | 208.84 | - | 90 | 182 | 58.7 | 75 | 24 | - |
| 58 H 200 | 58 | 6A | C.I. | 234.47 | 233.09 | - | 90 | 207 | 58.7 | 75 | 24 | - |
| 60 H 200 | 60 | 6A | C.I. | 242.55 | 241.18 | - | 90 | 215 | 58.7 | 75 | 24 | - |
| 70 H 200 | 70 | 6A | C.I. | 282.98 | 281.61 | - | 100 | 255 | 58.7 | 75 | 28 | - |
| 72 H 200 | 72 | 6A | C.I. | 291.06 | 289.69 | - | 100 | 263 | 58.7 | 75 | 28 | - |
| 82 H 200 | 82 | 6A | C.I. | 331.49 | 330.12 | - | 100 | 304 | 58.7 | 75 | 28 | - |
| 84 H 200 | 84 | 6A | C.I. | 339.57 | 338.2 | - | 100 | 312 | 58.7 | 75 | 28 | - |
| 94 H 200 | 94 | 6A | C.I. | 380 | 378.63 | - | 120 | 352 | 58.7 | 75 | 28 | - |
| 96 H 200 | 96 | 6A | C.I. | 388.08 | 386.71 | - | 120 | 360 | 58.7 | 75 | 28 | - |
| 106 H 200 | 106 | 6A | C.I. | 428.51 | 427.14 | - | 120 | 401 | 58.7 | 75 | 28 | - |
| 116 H 200 | 116 | 6A | C.I. | 468.93 | 467.56 | - | 120 | 441 | 58.7 | 75 | 28 | - |
| 118 H 200 | 118 | 6A | C.I. | 477.02 | 475.65 | - | 120 | 449 | 58.7 | 75 | 28 | - |
| 120 H 200 | 120 | 6A | C.I. | 485.1 | 483.73 | - | 120 | 458 | 58.7 | 75 | 28 | - |
| 150 H 200 | 150 | 6A | C.I. | 606.38 | 605.01 | - | 120 | 579 | 58.7 | 75 | 28 | - |
| 152 H 200 | 152 | 6A | C.I. | 614.47 | 613.09 | - | 120 | 587 | 58.7 | 75 | 28 | - |
| 154 H 200 | 154 | 6A | C.I. | 622.55 | 621.18 | - | 120 | 595 | 58.7 | 75 | 28 | - |
| 156 H 200 | 156 | 6A | C.I. | 630.64 | 629.26 | - | 120 | 603 | 58.7 | 75 | 28 | - |

Notes:

Setscrew hole are available upon request

Flange dimension O.D.x I.D. x thickness

H300 (For Belt - 12.7 Pitch x 76.3 Wide) 1/2"x 3"



| Part No. | Teeth No. | Type | Mat'l | Dp | De | Df | Hub Dia. Dm | Di | Width F | Length L | Bore d | Flange Dimension |
|----------|-----------|------|-------|--------|--------|-----|-------------|-----|---------|----------|--------|------------------|
| 14 H 300 | 14 | 6F | St. | 56.6 | 55.22 | 64 | 40 | - | 85.7 | 100 | 11 | 64.0x47.0x1.5 |
| 15 H 300 | 15 | 6F | St. | 60.64 | 59.27 | 66 | 45 | - | 85.7 | 100 | 11 | 66.5x53.0x1.5 |
| 16 H 300 | 16 | 6F | St. | 64.68 | 63.31 | 70 | 45 | - | 85.7 | 100 | 11 | 70.0x53.0x1.5 |
| 17 H 300 | 17 | 6F | St. | 68.72 | 67.35 | 75 | 45 | - | 85.7 | 100 | 11 | 75.0x57.0x1.5 |
| 18 H 300 | 18 | 6F | St. | 72.77 | 71.39 | 79 | 55 | - | 85.7 | 100 | 19 | 79.0x60.0x1.5 |
| 19 H 300 | 19 | 6F | St. | 76.81 | 75.44 | 83 | 60 | - | 85.7 | 100 | 19 | 82.5x64.0x1.5 |
| 20 H 300 | 20 | 6F | St. | 80.85 | 79.48 | 87 | 62 | - | 85.7 | 100 | 19 | 86.0x68.0x1.5 |
| 21 H 300 | 21 | 6F | St. | 84.89 | 83.52 | 91 | 65 | - | 85.7 | 100 | 19 | 91.0x73.0x1.5 |
| 22 H 300 | 22 | 6F | St. | 88.94 | 87.56 | 94 | 68 | - | 85.7 | 100 | 19 | 94.0x76.0x1.5 |
| 23 H 300 | 23 | 6F | St. | 92.98 | 91.61 | 97 | 72 | - | 85.7 | 100 | 19 | 97.0x79.0x1.5 |
| 24 H 300 | 24 | 6F | St. | 97.02 | 95.65 | 102 | 72 | - | 85.7 | 100 | 19 | 102.0x82.5x1.5 |
| 25 H 300 | 25 | 6F | St. | 101.06 | 99.69 | 106 | 72 | - | 85.7 | 100 | 19 | 106.0x86.0x1.5 |
| 26 H 300 | 26 | 6F | St. | 105.11 | 103.73 | 112 | 80 | - | 85.7 | 100 | 19 | 112.0x91.0x1.5 |
| 27 H 300 | 27 | 6F | St. | 109.15 | 107.78 | 115 | 80 | - | 85.7 | 100 | 19 | 115.0x94.0x1.5 |
| 28 H 300 | 28 | 6F | St. | 113.19 | 111.82 | 120 | 80 | - | 85.7 | 100 | 19 | 120.0x99.5x1.5 |
| 29 H 300 | 29 | 6F | St. | 117.23 | 115.86 | 123 | 80 | - | 85.7 | 100 | 19 | 128.0x107.0x1.5 |
| 30 H 300 | 30 | 6F | St. | 121.28 | 119.9 | 128 | 80 | - | 85.7 | 100 | 19 | 128.0x107.0x1.5 |
| 32 H 300 | 32 | 6F | St. | 129.36 | 127.99 | 135 | 80 | - | 85.7 | 100 | 19 | 135.0x115.0x1.5 |
| 33 H 300 | 33 | 6F | St. | 133.4 | 132.03 | 142 | 80 | - | 85.7 | 100 | 19 | 142.0x120.0x1.5 |
| 34 H 300 | 34 | 6F | St. | 137.45 | 136.07 | 142 | 80 | - | 85.7 | 100 | 19 | 142.0x120.0x1.5 |
| 35 H 300 | 35 | 6F | St. | 141.49 | 140.12 | 150 | 80 | - | 85.7 | 100 | 19 | 150.0x130.0x1.5 |
| 36 H 300 | 36 | 6WF | St. | 145.53 | 144.16 | 150 | 80 | 118 | 85.7 | 100 | 19 | 150.0x130.0x1.5 |
| 38 H 300 | 38 | 6WF | St. | 153.62 | 152.24 | 158 | 80 | 126 | 85.7 | 100 | 19 | 158.0x138.5x1.5 |
| 40 H 300 | 40 | 6WF | St. | 161.7 | 160.33 | 168 | 80 | 134 | 85.7 | 100 | 19 | 168.0x148.0x1.5 |
| 42 H 300 | 42 | 6WF | St. | 169.79 | 168.41 | 175 | 80 | 140 | 85.7 | 100 | 24 | 180.0x154.0x1.5 |
| 44 H 300 | 44 | 6WF | C.I. | 177.87 | 176.5 | 184 | 80 | 150 | 85.7 | 100 | 24 | 184.0x162.0x1.5 |
| 45 H 300 | 45 | 6WF | C.I. | 181.91 | 180.54 | 192 | 80 | 154 | 85.7 | 100 | 24 | 192.0x165.0x1.5 |
| 48 H 300 | 48 | 6WF | C.I. | 194.04 | 192.67 | 200 | 90 | 166 | 85.7 | 100 | 24 | 200.0x180.0x1.5 |
| 49 H 300 | 49 | 6W | C.I. | 198.08 | 196.71 | - | 90 | 170 | 85.7 | 100 | 24 | - |
| 50 H 300 | 50 | 6W | C.I. | 202.13 | 200.75 | - | 90 | 174 | 85.7 | 100 | 24 | - |

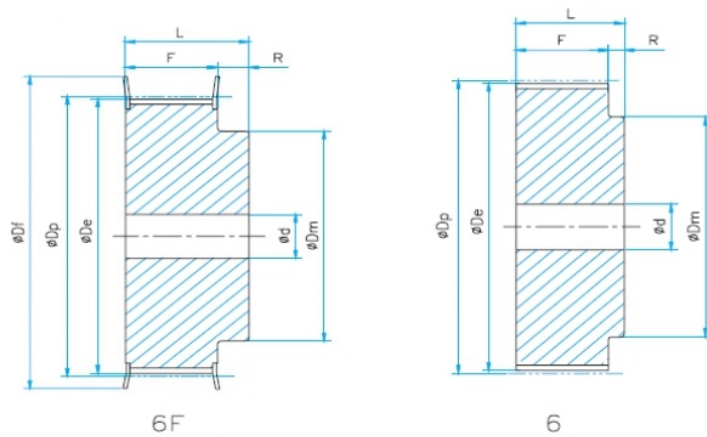
| Part No. | Teeth No. | Type | Mat'l | Dp | De | Df | Hub Dia. Dm | Di | Width F | Length L | Bore d | Flange Dimension |
|-----------|-----------|------|-------|--------|--------|----|-------------|-----|---------|----------|--------|------------------|
| 52 H 300 | 52 | 6W | C.I. | 210.21 | 208.84 | - | 90 | 182 | 85.7 | 100 | 24 | - |
| 58 H 300 | 58 | 6A | C.I. | 234.47 | 233.09 | - | 90 | 207 | 85.7 | 100 | 24 | - |
| 60 H 300 | 60 | 6A | C.I. | 242.55 | 241.18 | - | 90 | 215 | 85.7 | 100 | 24 | - |
| 70 H 300 | 70 | 6A | C.I. | 282.98 | 281.61 | - | 100 | 255 | 85.7 | 100 | 28 | - |
| 72 H 300 | 72 | 6A | C.I. | 291.06 | 289.69 | - | 100 | 263 | 85.7 | 100 | 28 | - |
| 82 H 300 | 82 | 6A | C.I. | 331.49 | 330.12 | - | 100 | 304 | 85.7 | 100 | 28 | - |
| 84 H 300 | 84 | 6A | C.I. | 339.57 | 338.2 | - | 100 | 312 | 85.7 | 100 | 28 | - |
| 94 H 300 | 94 | 6A | C.I. | 380 | 378.63 | - | 120 | 352 | 85.7 | 100 | 28 | - |
| 96 H 300 | 96 | 6A | C.I. | 388.08 | 386.71 | - | 120 | 360 | 85.7 | 100 | 28 | - |
| 106 H 300 | 106 | 6A | C.I. | 428.51 | 427.14 | - | 120 | 401 | 85.7 | 100 | 28 | - |
| 116 H 300 | 116 | 6A | C.I. | 468.93 | 467.56 | - | 120 | 441 | 85.7 | 100 | 28 | - |
| 118 H 300 | 118 | 6A | C.I. | 477.02 | 475.65 | - | 120 | 449 | 85.7 | 100 | 28 | - |
| 120 H 300 | 120 | 6A | C.I. | 485.1 | 483.73 | - | 120 | 458 | 85.7 | 100 | 28 | - |
| 150 H 300 | 150 | 6A | C.I. | 606.38 | 605.01 | - | 120 | 579 | 85.7 | 100 | 28 | - |
| 152 H 300 | 152 | 6A | C.I. | 614.47 | 613.09 | - | 120 | 587 | 85.7 | 100 | 28 | - |
| 154 H 300 | 154 | 6A | C.I. | 622.55 | 621.18 | - | 120 | 595 | 85.7 | 100 | 28 | - |
| 156 H 300 | 156 | 6A | C.I. | 630.64 | 629.26 | - | 120 | 603 | 85.7 | 100 | 28 | - |

Notes:

Setscrew hole are available upon request

Flange dimension O.D.x I.D. x thickness

21T5 (For Belt - 5mm Pitch x 10mm Wide)



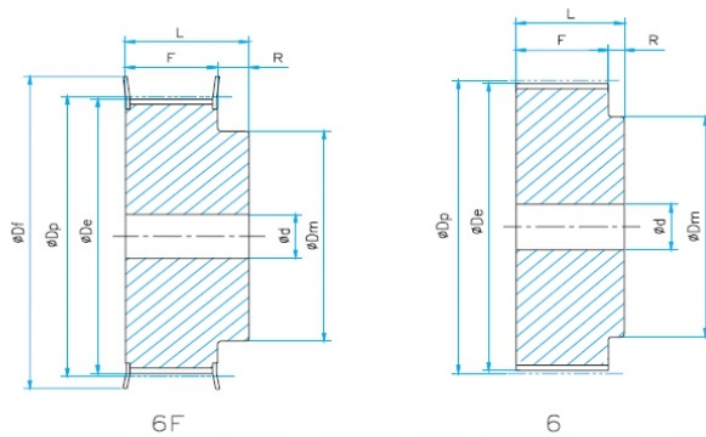
| Part No. | Teeth No. | Type | Mat'l | Dp | De | Df | Hub Dia. Dm | Width F | Length L | Bore d | Flange Dimension |
|-----------|-----------|------|-------|-------|-------|------|-------------|---------|----------|--------|------------------|
| 21T5-10-2 | 10 | 6F | Alu. | 16.05 | 15.05 | 19.5 | 8 | 15 | 21 | solid | 19.5x12x1.0 |
| 21T5-12-2 | 12 | 6F | Alu. | 19.25 | 18.25 | 23 | 11 | 15 | 21 | solid | 23x12.5x1.0 |
| 21T5-14-2 | 14 | 6F | Alu. | 22.45 | 21.45 | 25 | 13 | 15 | 21 | solid | 25x15x1.0 |
| 21T5-15-2 | 15 | 6F | Alu. | 24.05 | 23.05 | 28 | 16 | 15 | 21 | solid | 28x17.8x1.0 |
| 21T5-16-2 | 16 | 6F | Alu. | 25.6 | 24.6 | 32 | 18 | 15 | 21 | solid | 32x20x1.0 |
| 21T5-18-2 | 18 | 6F | Alu. | 28.8 | 27.8 | 32 | 20 | 15 | 21 | solid | 32x23x1.0 |
| 21T5-19-2 | 19 | 6F | Alu. | 30.4 | 29.4 | 36 | 20 | 15 | 21 | solid | 36x25x1.0 |
| 21T5-20-2 | 20 | 6F | Alu. | 32 | 31 | 36 | 22 | 15 | 21 | solid | 36x25x1.0 |
| 21T5-22-2 | 22 | 6F | Alu. | 32.15 | 34.15 | 38 | 23 | 15 | 21 | solid | 38x26.5x1.0 |
| 21T5-24-2 | 24 | 6F | Alu. | 38.4 | 37.4 | 42 | 24 | 15 | 21 | solid | 42x30.5x1.0 |
| 21T5-25-2 | 25 | 6F | Alu. | 39.95 | 38.95 | 44 | 26 | 15 | 21 | solid | 44x32.5x1.0 |
| 21T5-26-2 | 26 | 6F | Alu. | 41.6 | 40.6 | 44 | 26 | 15 | 21 | solid | 44x32.5x1.0 |
| 21T5-27-2 | 27 | 6F | Alu. | 43.2 | 42.2 | 48 | 30 | 15 | 21 | 8 | 48x37x1.0 |
| 21T5-28-2 | 28 | 6F | Alu. | 44.75 | 43.75 | 48 | 32 | 15 | 21 | 8 | 48x37x1.0 |
| 21T5-30-2 | 30 | 6F | Alu. | 47.95 | 46.95 | 51 | 34 | 15 | 21 | 8 | 51x40x1.0 |
| 21T5-32-2 | 32 | 6F | Alu. | 51.1 | 50.1 | 54 | 38 | 15 | 21 | 8 | 54x43x1.0 |
| 21T5-36-2 | 36 | 6F | Alu. | 57.45 | 56.45 | 64 | 38 | 15 | 21 | 8 | 64x47x1.0 |
| 21T5-40-2 | 40 | 6F | Alu. | 63.85 | 62.85 | 66.5 | 40 | 15 | 21 | 8 | 66.5x52x1.0 |
| 21T5-42-2 | 42 | 6F | Alu. | 67 | 66 | 70 | 40 | 15 | 21 | 8 | 70x53x1.0 |
| 21T5-44-0 | 44 | 6 | Alu. | 70.2 | 69.2 | - | 45 | 15 | 21 | 8 | - |
| 21T5-48-0 | 48 | 6 | Alu. | 76.55 | 75.55 | - | 50 | 15 | 21 | 8 | - |
| 21T5-60-0 | 60 | 6 | Alu. | 95.65 | 94.65 | - | 65 | 15 | 21 | 8 | - |

Notes:

Setscrew hole are available upon request

Flange dimension O.D.x I.D. x thickness

27T5 (For Belt - 5mm Pitch x 16mm Wide)



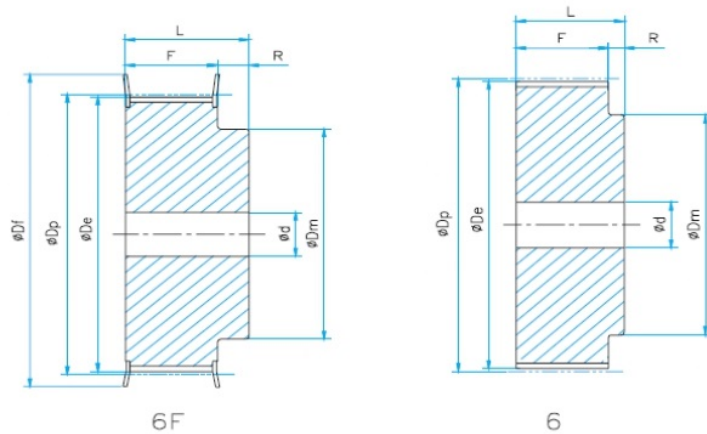
| Part No. | Teeth No. | Type | Mat'l | Dp | De | Df | Hub Dia. Dm | Width F | Length L | Bore d | Flange Dimension |
|-----------|-----------|------|-------|-------|-------|------|-------------|---------|----------|--------|------------------|
| 27T5-10-2 | 10 | 6F | Alu. | 16.05 | 15.05 | 19.5 | 8 | 21 | 27 | solid | 19.5x12x1.0 |
| 27T5-12-2 | 12 | 6F | Alu. | 19.25 | 18.25 | 23 | 11 | 21 | 27 | solid | 23x12.5x1.0 |
| 27T5-14-2 | 14 | 6F | Alu. | 22.45 | 21.45 | 25 | 13 | 21 | 27 | solid | 25x15x1.0 |
| 27T5-15-2 | 15 | 6F | Alu. | 24.05 | 23.05 | 28 | 16 | 21 | 27 | solid | 28x17.8x1.0 |
| 27T5-16-2 | 16 | 6F | Alu. | 25.6 | 24.6 | 32 | 18 | 21 | 27 | solid | 32x20x1.0 |
| 27T5-18-2 | 18 | 6F | Alu. | 28.8 | 27.8 | 32 | 20 | 21 | 27 | solid | 32x23x1.0 |
| 27T5-19-2 | 19 | 6F | Alu. | 30.4 | 29.4 | 36 | 20 | 21 | 27 | solid | 36x25x1.0 |
| 27T5-20-2 | 20 | 6F | Alu. | 32 | 31 | 36 | 22 | 21 | 27 | solid | 36x25x1.0 |
| 27T5-22-2 | 22 | 6F | Alu. | 32.15 | 34.15 | 38 | 23 | 21 | 27 | solid | 38x26.5x1.0 |
| 21T5-24-2 | 24 | 6F | Alu. | 38.4 | 37.4 | 42 | 24 | 21 | 27 | solid | 42x30.5x1.0 |
| 27T5-25-2 | 25 | 6F | Alu. | 39.95 | 38.95 | 44 | 26 | 21 | 27 | solid | 44x32.5x1.0 |
| 27T5-26-2 | 26 | 6F | Alu. | 41.6 | 40.6 | 44 | 26 | 21 | 27 | solid | 44x32.5x1.0 |
| 27T5-27-2 | 27 | 6F | Alu. | 43.2 | 42.2 | 48 | 30 | 21 | 27 | 8 | 48x37x1.0 |
| 27T5-28-2 | 28 | 6F | Alu. | 44.75 | 43.75 | 48 | 32 | 21 | 27 | 8 | 48x37x1.0 |
| 27T5-30-2 | 30 | 6F | Alu. | 47.95 | 46.95 | 51 | 34 | 21 | 27 | 8 | 51x40x1.0 |
| 27T5-32-2 | 32 | 6F | Alu. | 51.1 | 50.1 | 54 | 38 | 21 | 27 | 8 | 54x43x1.0 |
| 27T5-36-2 | 36 | 6F | Alu. | 57.45 | 56.45 | 64 | 38 | 21 | 27 | 8 | 64x47x1.0 |
| 27T5-40-2 | 40 | 6F | Alu. | 63.85 | 62.85 | 66.5 | 40 | 21 | 27 | 8 | 66.5x52x1.0 |
| 27T5-42-2 | 42 | 6F | Alu. | 67 | 66 | 70 | 40 | 21 | 27 | 8 | 70x53x1.0 |
| 27T5-44-0 | 44 | 6 | Alu. | 70.2 | 69.2 | - | 45 | 21 | 27 | 8 | - |
| 27T5-48-0 | 48 | 6 | Alu. | 76.55 | 75.55 | - | 50 | 21 | 27 | 8 | - |
| 27T5-60-0 | 60 | 6 | Alu. | 95.65 | 94.65 | - | 65 | 21 | 27 | 8 | - |

Notes:

Setscrew hole are available upon request

Flange dimension O.D.x I.D. x thickness

36T5 (For Belt - 5mm Pitch x 25 Wide)

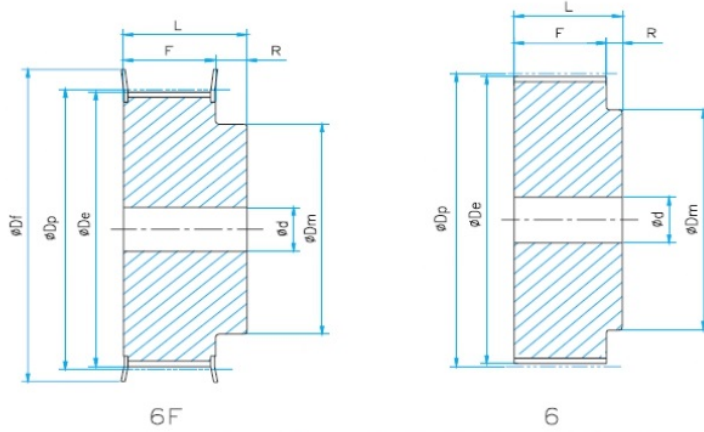


| Part No. | Teeth No. | Type | Mat'l | Dp | De | Df | Hub Dia. Dm | Width F | Length L | Bore d | Flange Dimension |
|-----------|-----------|------|-------|-------|-------|------|-------------|---------|----------|--------|------------------|
| 36T5-10-2 | 10 | 6F | Alu. | 16.05 | 15.05 | 19.5 | 8 | 30 | 36 | solid | 19.5x12x1.0 |
| 36T5-12-2 | 12 | 6F | Alu. | 19.25 | 18.25 | 23 | 11 | 30 | 36 | solid | 23x12.5x1.0 |
| 36T5-14-2 | 14 | 6F | Alu. | 22.45 | 21.45 | 25 | 13 | 30 | 36 | solid | 25x15x1.0 |
| 36T5-15-2 | 15 | 6F | Alu. | 24.05 | 23.05 | 28 | 16 | 30 | 36 | solid | 28x17.8x1.0 |
| 36T5-16-2 | 16 | 6F | Alu. | 25.6 | 24.6 | 32 | 18 | 30 | 36 | solid | 32x20x1.0 |
| 36T5-18-2 | 18 | 6F | Alu. | 28.8 | 27.8 | 32 | 20 | 30 | 36 | solid | 32x23x1.0 |
| 36T5-19-2 | 19 | 6F | Alu. | 30.4 | 29.4 | 36 | 20 | 30 | 36 | solid | 36x25x1.0 |
| 36T5-20-2 | 20 | 6F | Alu. | 32 | 31 | 36 | 22 | 30 | 36 | solid | 36x25x1.0 |
| 36T5-22-2 | 22 | 6F | Alu. | 32.15 | 34.15 | 38 | 23 | 30 | 36 | solid | 38x26.5x1.0 |
| 36T5-24-2 | 24 | 6F | Alu. | 38.4 | 37.4 | 42 | 24 | 30 | 36 | solid | 42x30.5x1.0 |
| 36T5-25-2 | 25 | 6F | Alu. | 39.95 | 38.95 | 44 | 26 | 30 | 36 | solid | 44x32.5x1.0 |
| 36T5-26-2 | 26 | 6F | Alu. | 41.6 | 40.6 | 44 | 26 | 30 | 36 | solid | 44x32.5x1.0 |
| 36T5-27-2 | 27 | 6F | Alu. | 43.2 | 42.2 | 48 | 30 | 30 | 36 | 8 | 48x37x1.0 |
| 36T5-28-2 | 28 | 6F | Alu. | 44.75 | 43.75 | 48 | 32 | 30 | 36 | 8 | 48x37x1.0 |
| 36T5-30-2 | 30 | 6F | Alu. | 47.95 | 46.95 | 51 | 34 | 30 | 36 | 8 | 51x40x1.0 |
| 36T5-32-2 | 32 | 6F | Alu. | 51.1 | 50.1 | 54 | 38 | 30 | 36 | 8 | 54x43x1.0 |
| 36T5-36-2 | 36 | 6F | Alu. | 57.45 | 56.45 | 64 | 38 | 30 | 36 | 8 | 64x47x1.0 |
| 36T5-40-2 | 40 | 6F | Alu. | 63.85 | 62.85 | 66.5 | 40 | 30 | 36 | 8 | 66.5x52x1.0 |
| 36T5-42-2 | 42 | 6F | Alu. | 67 | 66 | 70 | 40 | 30 | 36 | 8 | 70x53x1.0 |
| 36T5-44-0 | 44 | 6 | Alu. | 70.2 | 69.2 | - | 45 | 30 | 36 | 8 | - |
| 36T5-48-0 | 48 | 6 | Alu. | 76.55 | 75.55 | - | 50 | 30 | 36 | 8 | - |
| 36T5-60-0 | 60 | 6 | Alu. | 95.65 | 94.65 | - | 65 | 30 | 36 | 8 | - |

Notes:

Setscrew hole are available upon request
Flange dimension O.D.x I.D. x thickness

31T10 (For Belt - 10mm Pitch x 16mm Wide)

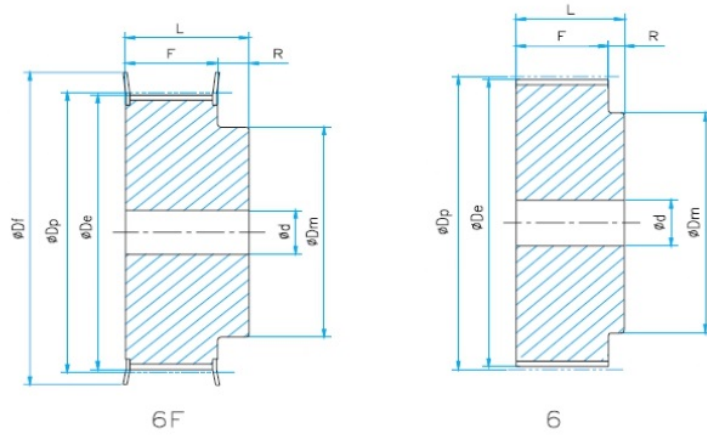


| Part No. | Teeth No. | Type | Mat'l | Dp | De | Df | Hub Dia. Dm | Width F | Length L | Bore d | Flange Dimension |
|------------|-----------|------|-------|--------|--------|-----|-------------|---------|----------|--------|------------------|
| 31T10-12-2 | 12 | 6F | Alu. | 38.35 | 36.35 | 42 | 28 | 21 | 31 | 6 | 42x30.5x1.0 |
| 31T10-14-2 | 14 | 6F | Alu. | 44.7 | 42.7 | 48 | 32 | 21 | 31 | 8 | 48x37x1.0 |
| 31T10-15-2 | 15 | 6F | Alu. | 47.9 | 45.9 | 51 | 32 | 21 | 31 | 8 | 51x40x1.0 |
| 31T10-16-2 | 16 | 6F | Alu. | 51.1 | 49.1 | 54 | 35 | 21 | 31 | 8 | 54x43x1.0 |
| 31T10-18-2 | 18 | 6F | Alu. | 57.45 | 55.45 | 60 | 40 | 21 | 31 | 8 | 60x47x1.0 |
| 31T10-19-2 | 19 | 6F | Alu. | 60.65 | 58.65 | 66 | 44 | 21 | 31 | 8 | 66.5x52x1.0 |
| 31T10-20-2 | 20 | 6F | Alu. | 63.8 | 61.8 | 66 | 46 | 21 | 31 | 8 | 66.5x52x1.0 |
| 31T10-22-2 | 22 | 6F | Alu. | 70.2 | 68.2 | 75 | 52 | 21 | 31 | 8 | 75x60x1.0 |
| 31T10-24-2 | 24 | 6F | Alu. | 76.55 | 74.55 | 83 | 58 | 21 | 31 | 8 | 83x68x1.0 |
| 31T10-25-2 | 25 | 6F | Alu. | 79.75 | 77.7 | 83 | 60 | 21 | 31 | 8 | 83x68x1.0 |
| 31T10-26-2 | 26 | 6F | Alu. | 82.9 | 80.9 | 87 | 60 | 21 | 31 | 8 | 87x72x1.0 |
| 31T10-27-2 | 27 | 6F | Alu. | 86.1 | 84.1 | 91 | 60 | 21 | 31 | 8 | 91x76x1.0 |
| 31T10-28-2 | 28 | 6F | Alu. | 89.25 | 87.25 | 93 | 60 | 21 | 31 | 8 | 93x80x1.0 |
| 31T10-30-2 | 30 | 6F | Alu. | 95.65 | 93.65 | 97 | 60 | 21 | 31 | 8 | 97x83x1.0 |
| 31T10-32-2 | 32 | 6F | Alu. | 102 | 100 | 106 | 65 | 21 | 31 | 10 | 106x90x1.0 |
| 31T10-36-2 | 36 | 6F | Alu. | 114.75 | 112.75 | 119 | 70 | 21 | 31 | 10 | 119x103x1.0 |
| 31T10-40-2 | 40 | 6F | Alu. | 127.45 | 125.45 | 131 | 80 | 21 | 31 | 10 | 131x115x1.0 |
| 31T10-44-0 | 44 | 6 | Alu. | 140.2 | 138.2 | - | 88 | 21 | 31 | 10 | - |
| 31T10-48-0 | 48 | 6 | Alu. | 152.95 | 150.95 | - | 95 | 21 | 31 | 16 | - |
| 31T10-60-0 | 60 | 6 | Alu. | 191.1 | 189.1 | - | 110 | 21 | 31 | 16 | - |

Notes:

Setscrew hole are available upon request
 Flange dimension O.D.x I.D. x thickness

40T10 (For Belt - 10mm Pitch x 25mm Wide)

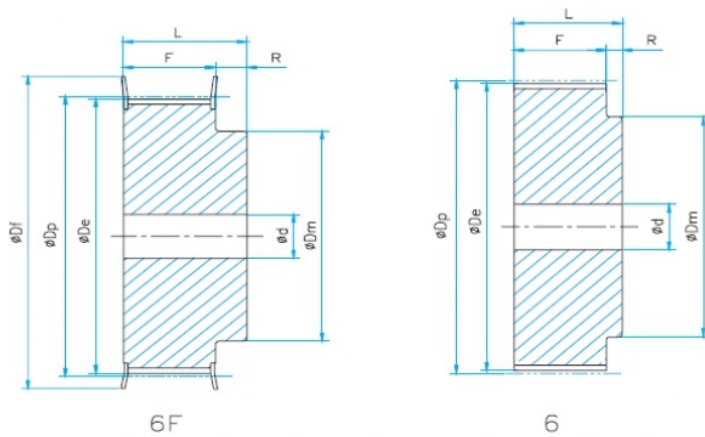


| Part No. | Teeth No. | Type | Mat'l | Dp | De | Df | Hub Dia. Dm | Width F | Length L | Bore d | Flange Dimension |
|------------|-----------|------|-------|--------|--------|-----|-------------|---------|----------|--------|------------------|
| 40T10-12-2 | 12 | 6F | Alu. | 38.35 | 36.35 | 42 | 28 | 30 | 40 | 6 | 42x30.5x1.0 |
| 40T10-14-2 | 14 | 6F | Alu. | 44.7 | 42.7 | 48 | 32 | 30 | 40 | 8 | 48x37x1.0 |
| 40T10-15-2 | 15 | 6F | Alu. | 47.9 | 45.9 | 51 | 32 | 30 | 40 | 8 | 51x40x1.0 |
| 40T10-16-2 | 16 | 6F | Alu. | 51.1 | 49.1 | 54 | 35 | 30 | 40 | 8 | 54x43x1.0 |
| 40T10-18-2 | 18 | 6F | Alu. | 57.45 | 55.45 | 60 | 40 | 30 | 40 | 8 | 60x47x1.0 |
| 40T10-19-2 | 19 | 6F | Alu. | 60.65 | 58.65 | 66 | 44 | 30 | 40 | 8 | 66.5x52x1.0 |
| 40T10-20-2 | 20 | 6F | Alu. | 63.8 | 61.8 | 66 | 46 | 30 | 40 | 8 | 66.5x52x1.0 |
| 40T10-22-2 | 22 | 6F | Alu. | 70.2 | 68.2 | 75 | 52 | 30 | 40 | 8 | 75x60x1.0 |
| 40T10-24-2 | 24 | 6F | Alu. | 76.55 | 74.55 | 83 | 58 | 30 | 40 | 8 | 83x68x1.0 |
| 40T10-25-2 | 25 | 6F | Alu. | 79.75 | 77.7 | 83 | 60 | 30 | 40 | 8 | 83x68x1.0 |
| 40T10-26-2 | 26 | 6F | Alu. | 82.9 | 80.9 | 87 | 60 | 30 | 40 | 8 | 87x72x1.0 |
| 40T10-27-2 | 27 | 6F | Alu. | 86.1 | 84.1 | 91 | 60 | 30 | 40 | 8 | 91x76x1.0 |
| 40T10-28-2 | 28 | 6F | Alu. | 89.25 | 87.25 | 93 | 60 | 30 | 40 | 8 | 93x80x1.0 |
| 40T10-30-2 | 30 | 6F | Alu. | 95.65 | 93.65 | 97 | 60 | 30 | 40 | 8 | 97x83x1.0 |
| 40T10-32-2 | 32 | 6F | Alu. | 102 | 100 | 106 | 65 | 30 | 40 | 10 | 106x90x1.0 |
| 40T10-36-2 | 36 | 6F | Alu. | 114.75 | 112.75 | 119 | 70 | 30 | 40 | 10 | 119x103x1.0 |
| 40T10-40-2 | 40 | 6F | Alu. | 127.45 | 125.45 | 131 | 80 | 30 | 40 | 10 | 131x115x1.0 |
| 40T10-44-0 | 44 | 6 | Alu. | 140.2 | 138.2 | - | 88 | 30 | 40 | 10 | - |
| 40T10-48-0 | 48 | 6 | Alu. | 152.95 | 150.95 | - | 95 | 30 | 40 | 16 | - |
| 40T10-60-0 | 60 | 6 | Alu. | 191.1 | 189.1 | - | 110 | 30 | 40 | 16 | - |

Notes:

Setscrew hole are available upon request
Flange dimension O.D.x I.D. x thickness

47T10 (For Belt - 10mm Pitch x 32mm Wide)

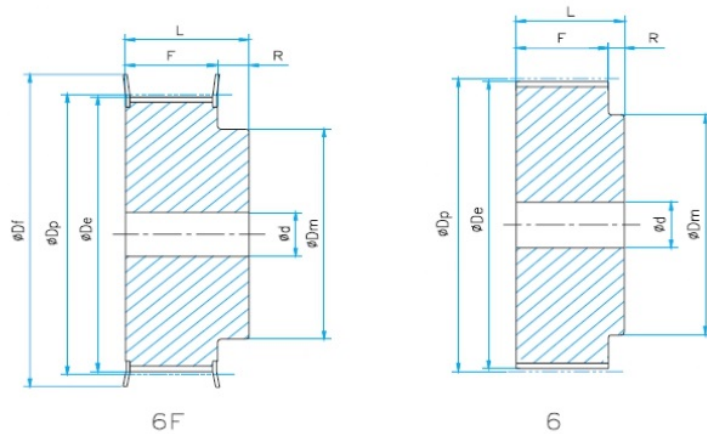


| Part No. | Teeth No. | Type | Mat'l | Dp | De | Df | Hub Dia. Dm | Width F | Length L | Bore d | Flange Dimension |
|------------|-----------|------|-------|--------|--------|-----|-------------|---------|----------|--------|------------------|
| 47T10-18-2 | 18 | 6F | Alu. | 57.45 | 55.45 | 60 | 40 | 37 | 47 | 10 | 60x47x1.0 |
| 47T10-19-2 | 19 | 6F | Alu. | 60.65 | 58.65 | 66 | 44 | 37 | 47 | 10 | 66.5x52x1.0 |
| 47T10-20-2 | 20 | 6F | Alu. | 63.8 | 61.8 | 66 | 46 | 37 | 47 | 12 | 66.5x52x1.0 |
| 47T10-22-2 | 22 | 6F | Alu. | 70.2 | 68.2 | 75 | 52 | 37 | 47 | 12 | 75x60x1.0 |
| 47T10-24-2 | 24 | 6F | Alu. | 76.55 | 74.55 | 83 | 58 | 37 | 47 | 12 | 83x68x1.0 |
| 47T10-25-2 | 25 | 6F | Alu. | 79.75 | 77.7 | 83 | 60 | 37 | 47 | 12 | 83x68x1.0 |
| 47T10-26-2 | 26 | 6F | Alu. | 82.9 | 80.9 | 87 | 60 | 37 | 47 | 12 | 87x72x1.0 |
| 47T10-27-2 | 27 | 6F | Alu. | 86.1 | 84.1 | 91 | 60 | 37 | 47 | 12 | 91x76x1.0 |
| 47T10-28-2 | 28 | 6F | Alu. | 89.25 | 87.25 | 93 | 60 | 37 | 47 | 12 | 93x80x1.0 |
| 47T10-30-2 | 30 | 6F | Alu. | 95.65 | 93.65 | 97 | 60 | 37 | 47 | 12 | 97x83x1.0 |
| 47T10-32-2 | 32 | 6F | Alu. | 102 | 100 | 106 | 65 | 37 | 47 | 12 | 106x90x1.0 |
| 47T10-36-2 | 36 | 6F | Alu. | 114.75 | 112.75 | 119 | 70 | 37 | 47 | 16 | 119x103x1.0 |
| 47T10-40-2 | 40 | 6F | Alu. | 127.45 | 125.45 | 131 | 80 | 37 | 47 | 16 | 131x115x1.0 |
| 47T10-44-0 | 44 | 6 | Alu. | 140.2 | 138.2 | - | 88 | 37 | 47 | 16 | - |
| 47T10-48-0 | 48 | 6 | Alu. | 152.95 | 150.95 | - | 95 | 37 | 47 | 16 | - |
| 47T10-60-0 | 60 | 6 | Alu. | 191.1 | 189.1 | - | 110 | 37 | 47 | 16 | - |

Notes:

Setscrew hole are available upon request
 Flange dimension O.D.x I.D. x thickness

66T10 (For Belt - 10mm Pitch x 50mm Wide)

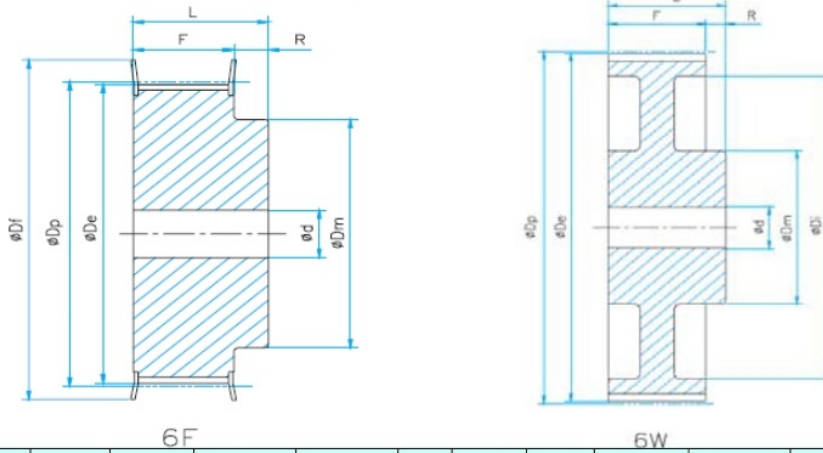


| Part No. | Teeth No. | Type | Mat'l | Dp | De | Df | Hub Dia. Dm | Width F | Length L | Bore d | Flange Dimension |
|------------|-----------|------|-------|--------|--------|-----|-------------|---------|----------|--------|------------------|
| 66T10-18-2 | 18 | 6F | Alu. | 57.45 | 55.45 | 60 | 40 | 56 | 66 | 10 | 60x47x1.0 |
| 66T10-19-2 | 19 | 6F | Alu. | 60.65 | 58.65 | 66 | 44 | 56 | 66 | 10 | 66.5x52x1.0 |
| 66T10-20-2 | 20 | 6F | Alu. | 63.8 | 61.8 | 66 | 46 | 56 | 66 | 12 | 66.5x52x1.0 |
| 66T10-22-2 | 22 | 6F | Alu. | 70.2 | 68.2 | 75 | 52 | 56 | 66 | 12 | 75x60x1.0 |
| 66T10-24-2 | 24 | 6F | Alu. | 76.55 | 74.55 | 83 | 58 | 56 | 66 | 12 | 83x68x1.0 |
| 66T10-25-2 | 25 | 6F | Alu. | 79.75 | 77.7 | 83 | 60 | 56 | 66 | 12 | 83x68x1.0 |
| 66T10-26-2 | 26 | 6F | Alu. | 82.9 | 80.9 | 87 | 60 | 56 | 66 | 12 | 87x72x1.0 |
| 66T10-27-2 | 27 | 6F | Alu. | 86.1 | 84.1 | 91 | 60 | 56 | 66 | 12 | 91x76x1.0 |
| 66T10-28-2 | 28 | 6F | Alu. | 89.25 | 87.25 | 93 | 60 | 56 | 66 | 12 | 93x80x1.0 |
| 66T10-30-2 | 30 | 6F | Alu. | 95.65 | 93.65 | 97 | 60 | 56 | 66 | 12 | 97x83x1.0 |
| 66T10-32-2 | 32 | 6F | Alu. | 102 | 100 | 106 | 65 | 56 | 66 | 12 | 106x90x1.0 |
| 66T10-36-2 | 36 | 6F | Alu. | 114.75 | 112.75 | 119 | 70 | 56 | 66 | 16 | 119x103x1.0 |
| 66T10-40-2 | 40 | 6F | Alu. | 127.45 | 125.45 | 131 | 80 | 56 | 66 | 16 | 131x115x1.0 |
| 66T10-44-0 | 44 | 6 | Alu. | 140.2 | 138.2 | - | 88 | 56 | 66 | 16 | - |
| 66T10-48-0 | 48 | 6 | Alu. | 152.95 | 150.95 | - | 95 | 56 | 66 | 16 | - |
| 66T10-60-0 | 60 | 6 | Alu. | 191.1 | 189.1 | - | 110 | 56 | 66 | 16 | - |

Notes:

Setscrew hole are available upon request
Flange dimension O.D.x I.D. x thickness

5M-09 (For Omega and HTD Belts) Pilot Bore & Solid



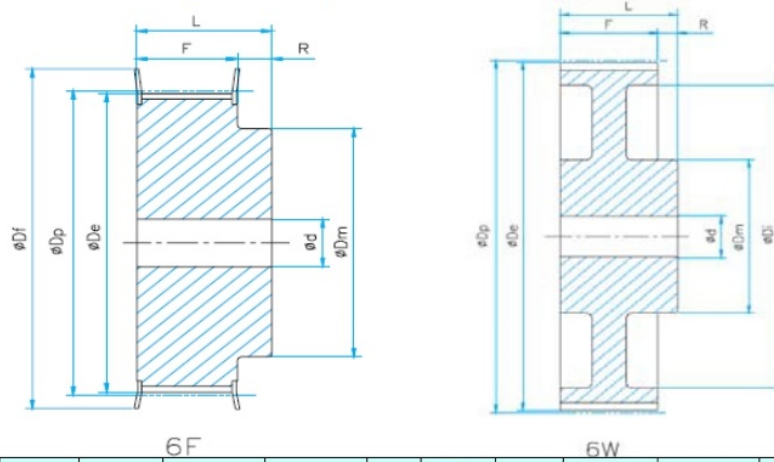
| Part No. | Teeth No. | Type | Mat'l | Dp | De | Df | Hub Dia. Dm | Di | Width F | Length L | Bore d | Flange Dimension |
|----------|-----------|------|-------|--------|--------|----|-------------|-----|---------|----------|--------|------------------|
| 12-5M-09 | 12 | 6F | St. | 19.1 | 17.96 | 23 | 12 | - | 14.5 | 20 | Solid | 23.0x14.0x1.0 |
| 14-5M-09 | 14 | 6F | St. | 22.28 | 21.14 | 25 | 13 | - | 14.5 | 20 | Solid | 25.0x15.0x1.0 |
| 15-5M-09 | 15 | 6F | St. | 23.87 | 22.73 | 28 | 16 | - | 14.5 | 20 | Solid | 28.0x17.8x1.0 |
| 16-5M-09 | 16 | 6F | St. | 25.46 | 24.32 | 28 | 16.2 | - | 14.5 | 20 | Solid | 28.0x17.8x1.0 |
| 18-5M-09 | 18 | 6F | St. | 28.65 | 27.51 | 32 | 20 | - | 14.5 | 20 | Solid | 32.0x23.0x1.0 |
| 20-5M-09 | 20 | 6F | St. | 31.83 | 30.69 | 36 | 23 | - | 14.5 | 22.5 | Solid | 36.0x25.0x1.0 |
| 21-5M-09 | 21 | 6F | St. | 33.42 | 32.28 | 38 | 24 | - | 14.5 | 22.5 | Solid | 38.0x26.5x1.0 |
| 22-5M-09 | 22 | 6F | St. | 35.01 | 33.87 | 39 | 25.5 | - | 14.5 | 22.5 | Solid | 39.0x28.0x1.0 |
| 24-5M-09 | 24 | 6F | St. | 38.2 | 37.06 | 42 | 27 | - | 14.5 | 22.5 | Solid | 42.0x30.5x1.0 |
| 26-5M-09 | 26 | 6F | St. | 41.38 | 40.24 | 44 | 30 | - | 14.5 | 22.5 | Solid | 44.0x32.5x1.0 |
| 28-5M-09 | 28 | 6F | St. | 44.56 | 43.42 | 48 | 30.5 | - | 14.5 | 22.5 | Solid | 48.0x37.0x1.0 |
| 30-5M-09 | 30 | 6F | St. | 47.75 | 46.6 | 51 | 35 | - | 14.5 | 22.5 | Solid | 51.0x40.0x1.0 |
| 32-5M-09 | 32 | 6F | St. | 50.93 | 49.79 | 54 | 38 | - | 14.5 | 22.5 | 8 | 54.0x43.0x1.0 |
| 36-5M-09 | 36 | 6F | St. | 57.3 | 56.16 | 60 | 38 | - | 14.5 | 22.5 | 8 | 60.0x47.0x1.0 |
| 40-5M-09 | 40 | 6F | St. | 63.66 | 62.52 | 71 | 38 | - | 14.5 | 22.5 | 8 | 71.0x56.0x1.0 |
| 44-5M-09 | 44 | 6W | Alu. | 70.03 | 68.89 | - | 38 | 54 | 14.5 | 25.5 | 8 | - |
| 48-5M-09 | 48 | 6W | Alu. | 76.39 | 75.25 | - | 45 | 61 | 14.5 | 25.5 | 8 | - |
| 60-5M-09 | 60 | 6W | Alu. | 95.49 | 94.35 | - | 45 | 80 | 14.5 | 25.5 | 8 | - |
| 72-5M-09 | 72 | 6W | Alu. | 114.59 | 113.45 | - | 45 | 100 | 14.5 | 25.5 | 8 | - |

Notes:

Setscrew hole are available upon request

Flange dimension O.D.x I.D. x thickness

5M-15 (For Omega and HTD Belts) Pilot Bore & Solid



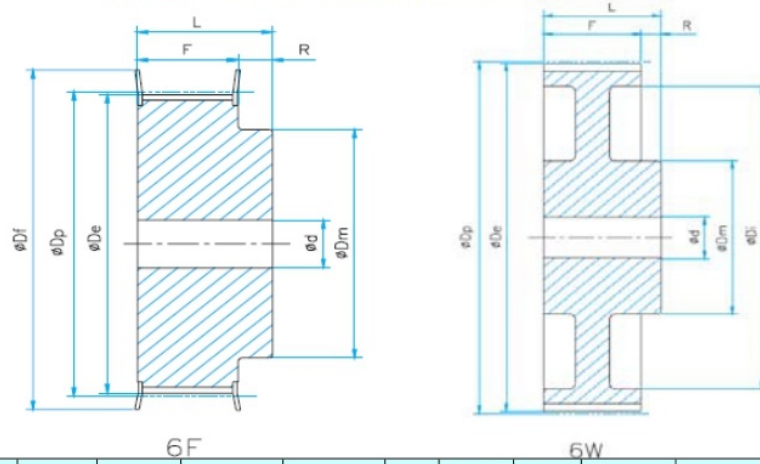
| Part No. | Teeth No. | Type | Mat'l | Dp | De | Df | Hub Dia. Dm | Di | Width F | Length L | Bore d | Flange Dimension |
|----------|-----------|------|-------|--------|--------|----|-------------|-----|---------|----------|--------|------------------|
| 12-5M-15 | 12 | 6F | St. | 19.1 | 17.96 | 23 | 12 | - | 20.5 | 26 | Solid | 23.0x14.0x1.0 |
| 14-5M-15 | 14 | 6F | St. | 22.28 | 21.14 | 25 | 13 | - | 20.5 | 26 | Solid | 25.0x15.0x1.0 |
| 15-5M-15 | 15 | 6F | St. | 23.87 | 22.73 | 28 | 16 | - | 20.5 | 26 | Solid | 28.0x17.8x1.0 |
| 16-5M-15 | 16 | 6F | St. | 25.46 | 24.32 | 28 | 16.2 | - | 20.5 | 26 | Solid | 28.0x17.8x1.0 |
| 18-5M-15 | 18 | 6F | St. | 28.65 | 27.51 | 32 | 20 | - | 20.5 | 26 | Solid | 32.0x23.0x1.0 |
| 20-5M-15 | 20 | 6F | St. | 31.83 | 30.69 | 36 | 23 | - | 20.5 | 26 | Solid | 36.0x25.0x1.0 |
| 21-5M-15 | 21 | 6F | St. | 33.42 | 32.28 | 38 | 24 | - | 20.5 | 26 | Solid | 38.0x26.5x1.0 |
| 22-5M-15 | 22 | 6F | St. | 35.01 | 33.87 | 39 | 25.5 | - | 20.5 | 26 | Solid | 39.0x28.0x1.0 |
| 24-5M-15 | 24 | 6F | St. | 38.2 | 37.06 | 42 | 27 | - | 20.5 | 28 | Solid | 42.0x30.5x1.0 |
| 26-5M-15 | 26 | 6F | St. | 41.38 | 40.24 | 44 | 30 | - | 20.5 | 28 | Solid | 44.0x32.5x1.0 |
| 28-5M-15 | 28 | 6F | St. | 44.56 | 43.42 | 48 | 30.5 | - | 20.5 | 28 | Solid | 48.0x37.0x1.0 |
| 30-5M-15 | 30 | 6F | St. | 47.75 | 46.6 | 51 | 35 | - | 20.5 | 28 | Solid | 51.0x40.0x1.0 |
| 32-5M-15 | 32 | 6F | St. | 50.93 | 49.79 | 54 | 38 | - | 20.5 | 28 | 8 | 54.0x43.0x1.0 |
| 36-5M-15 | 36 | 6F | St. | 57.3 | 56.16 | 60 | 38 | - | 20.5 | 28 | 8 | 60.0x47.0x1.0 |
| 40-5M-15 | 40 | 6F | St. | 63.66 | 62.52 | 71 | 38 | - | 20.5 | 28 | 8 | 71.0x56.0x1.0 |
| 44-5M-15 | 44 | 6W | Alu. | 70.03 | 68.89 | - | 38 | 54 | 20.5 | 30 | 8 | - |
| 48-5M-15 | 48 | 6W | Alu. | 76.39 | 75.25 | - | 45 | 61 | 20.5 | 30 | 8 | - |
| 60-5M-15 | 60 | 6W | Alu. | 95.49 | 94.35 | - | 45 | 80 | 20.5 | 30 | 8 | - |
| 72-5M-15 | 72 | 6W | Alu. | 114.59 | 113.45 | - | 45 | 100 | 20.5 | 30 | 8 | - |

Notes:

Setscrew hole are available upon request

Flange dimension O.D.x I.D. x thickness

5M-25 (For Omega and HTD Belts) Pilot Bore & Solid



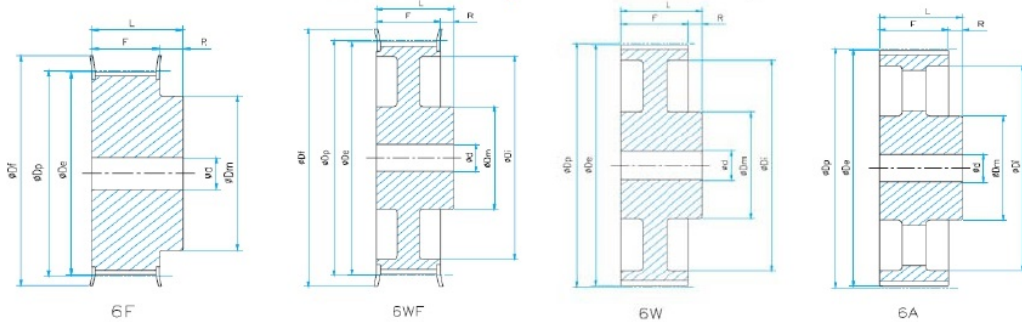
| Part No. | Teeth No. | Type | Mat'l | Dp | De | Df | Hub Dia. Dm | Di | Width F | Length L | Bore d | Flange Dimension |
|----------|-----------|------|-------|--------|--------|----|-------------|-----|---------|----------|--------|------------------|
| 12-5M-25 | 12 | 6F | St. | 19.1 | 17.96 | 23 | 12 | - | 30.5 | 36 | Solid | 23.0x14.0x1.0 |
| 14-5M-25 | 14 | 6F | St. | 22.28 | 21.14 | 25 | 13 | - | 30.5 | 36 | Solid | 25.0x15.0x1.0 |
| 15-5M-25 | 15 | 6F | St. | 23.87 | 22.73 | 28 | 16 | - | 30.5 | 36 | Solid | 28.0x17.8x1.0 |
| 16-5M-25 | 16 | 6F | St. | 25.46 | 24.32 | 28 | 16.5 | - | 30.5 | 36 | Solid | 28.0x17.8x1.0 |
| 18-5M-25 | 18 | 6F | St. | 28.65 | 27.51 | 32 | 20 | - | 30.5 | 36 | Solid | 32.0x23.0x1.0 |
| 20-5M-25 | 20 | 6F | St. | 31.83 | 30.69 | 36 | 23 | - | 30.5 | 36 | Solid | 36.0x25.0x1.0 |
| 21-5M-25 | 21 | 6F | St. | 33.42 | 32.28 | 38 | 24 | - | 30.5 | 38.5 | Solid | 38.0x26.5x1.0 |
| 22-5M-25 | 22 | 6F | St. | 35.01 | 33.87 | 39 | 25.5 | - | 30.5 | 38.5 | Solid | 39.0x28.0x1.0 |
| 24-5M-25 | 24 | 6F | St. | 38.2 | 37.06 | 42 | 27 | - | 30.5 | 38.5 | Solid | 42.0x30.5x1.0 |
| 26-5M-25 | 26 | 6F | St. | 41.38 | 40.24 | 44 | 30 | - | 30.5 | 38.5 | Solid | 44.0x32.5x1.0 |
| 28-5M-25 | 28 | 6F | St. | 44.56 | 43.42 | 48 | 30.5 | - | 30.5 | 38.5 | Solid | 48.0x37.0x1.0 |
| 30-5M-25 | 30 | 6F | St. | 47.75 | 46.6 | 51 | 35 | - | 30.5 | 38.5 | Solid | 51.0x40.0x1.0 |
| 32-5M-25 | 32 | 6F | St. | 50.93 | 49.79 | 54 | 38 | - | 30.5 | 38.5 | 8 | 54.0x43.0x1.0 |
| 36-5M-25 | 36 | 6F | St. | 57.3 | 56.16 | 60 | 38 | - | 30.5 | 38.5 | 8 | 60.0x47.0x1.0 |
| 40-5M-25 | 40 | 6F | St. | 63.66 | 62.52 | 71 | 38 | - | 30.5 | 38.5 | 8 | 71.0x56.0x1.0 |
| 44-5M-25 | 44 | 6W | Alu. | 70.03 | 68.89 | - | 38 | 54 | 30.5 | 40.5 | 8 | - |
| 48-5M-25 | 48 | 6W | Alu. | 76.39 | 75.25 | - | 45 | 61 | 30.5 | 40.5 | 8 | - |
| 60-5M-25 | 60 | 6W | Alu. | 95.49 | 94.35 | - | 45 | 80 | 30.5 | 40.5 | 8 | - |
| 72-5M-25 | 72 | 6W | Alu. | 114.59 | 113.45 | - | 45 | 100 | 30.5 | 40.5 | 8 | - |

Notes:

Setscrew hole are available upon request

Flange dimension O.D.x I.D. x thickness

8M-20 (For Omega and HTD Belts) Pilot Bore



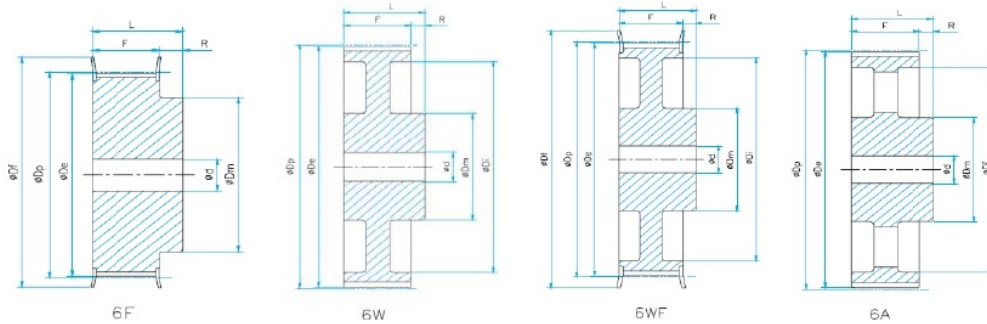
| Part No. | Teeth No. | Type | Mat'l | Dp | De | Df | Hub Dia. Dm | Di | Width F | Length L | Bore d | Flange Dimension |
|-----------|-----------|------|-------|--------|--------|-----|-------------|-----|---------|----------|--------|------------------|
| 22-8M-20 | 22 | 6F | St. | 56.02 | 54.65 | 60 | 43 | - | 28 | 38 | 12 | 60.0x47.0x1.5 |
| 24-8M-20 | 24 | 6F | St. | 61.12 | 59.75 | 66 | 45 | - | 28 | 38 | 12 | 66.0x52.0x1.5 |
| 26-8M-20 | 26 | 6F | St. | 66.21 | 64.84 | 70 | 48 | - | 28 | 38 | 12 | 70.0x53.0x1.5 |
| 28-8M-20 | 28 | 6F | St. | 71.3 | 69.93 | 75 | 50 | - | 28 | 38 | 15 | 75.0x60.0x1.5 |
| 30-8M-20 | 30 | 6F | St. | 76.39 | 75.02 | 83 | 55 | - | 28 | 38 | 15 | 83.0x68.0x1.5 |
| 32-8M-20 | 32 | 6F | St. | 81.49 | 80.12 | 87 | 60 | - | 28 | 38 | 15 | 87.0x72.0x1.5 |
| 34-8M-20 | 34 | 6F | St. | 86.58 | 85.22 | 91 | 70 | - | 28 | 38 | 15 | 91.0x73.0x1.5 |
| 36-8M-20 | 36 | 6F | St. | 91.67 | 90.3 | 97 | 75 | - | 28 | 38 | 15 | 97.0x79.0x1.5 |
| 38-8M-20 | 38 | 6F | St. | 96.77 | 95.39 | 102 | 75 | - | 28 | 38 | 15 | 102.0x82.5x1.5 |
| 40-8M-20 | 40 | 6F | St. | 101.86 | 100.49 | 106 | 75 | - | 28 | 38 | 15 | 106.0x90.0x1.5 |
| 44-8M-20 | 44 | 6F | St. | 112.05 | 110.67 | 120 | 75 | - | 28 | 38 | 15 | 120.0x99.5x1.5 |
| 48-8M-20 | 48 | 6F | St. | 122.23 | 120.86 | 128 | 75 | - | 28 | 38 | 15 | 128.0x107.0x1.5 |
| 56-8M-20 | 56 | 6WF | St. | 142.6 | 141.23 | 150 | 80 | 116 | 28 | 38 | 15 | 150.0x130.0x1.5 |
| 64-8M-20 | 64 | 6WF | St. | 162.97 | 161.6 | 168 | 80 | 137 | 28 | 38 | 15 | 168.0x148.0x1.5 |
| 72-8M-20 | 72 | 6WF | St. | 183.35 | 181.97 | 192 | 80 | 158 | 28 | 38 | 15 | 192.0x173.0x1.5 |
| 80-8M-20 | 80 | 6W | C.I. | 203.72 | 202.35 | - | 90 | 180 | 28 | 38 | 15 | - |
| 90-8M-20 | 90 | 6A | C.I. | 229.18 | 227.81 | - | 90 | 204 | 28 | 38 | 15 | - |
| 112-8M-20 | 112 | 6A | C.I. | 285.21 | 283.83 | - | 90 | 254 | 28 | 38 | 18 | - |
| 144-8M-20 | 144 | 6A | C.I. | 366.69 | 365.32 | - | 90 | 336 | 28 | 38 | 20 | - |
| 168-8M-20 | 168 | 6A | C.I. | 427.81 | 426.44 | - | 100 | 400 | 28 | 38 | 20 | - |
| 192-8M-20 | 192 | 6A | C.I. | 488.92 | 487.55 | - | 100 | 460 | 28 | 38 | 20 | - |

Notes:

Setscrew hole are available upon request

Flange dimension O.D.x I.D. x thickness

8M-30 (For Omega and HTD Belts) Pilot Bore



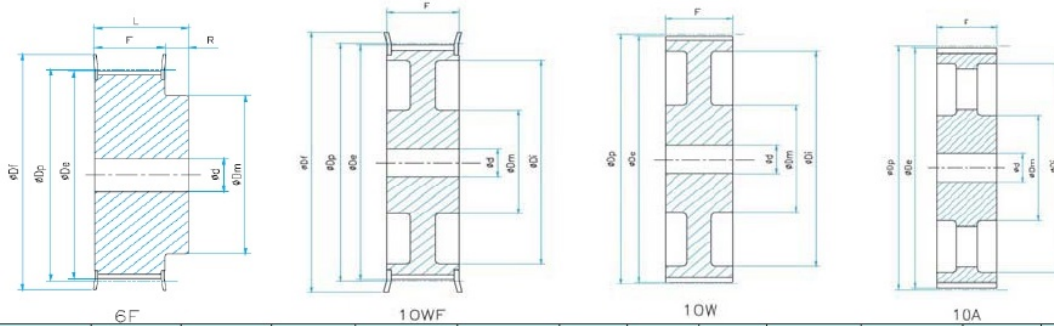
| Part No. | Teeth No. | Type | Mat'l | Dp | De | Df | Hub Dia. Dm | Di | Width F | Length L | Bore d | Flange Dimension |
|-----------|-----------|------|-------|--------|--------|-----|-------------|-----|---------|----------|--------|------------------|
| 22-8M-30 | 22 | 6F | St. | 56.02 | 54.65 | 60 | 43 | - | 38 | 48 | 12 | 60.0x47.0x1.5 |
| 24-8M-30 | 24 | 6F | St. | 61.12 | 59.75 | 66 | 45 | - | 38 | 48 | 12 | 66.0x52.0x1.5 |
| 26-8M-30 | 26 | 6F | St. | 66.21 | 64.84 | 70 | 48 | - | 38 | 48 | 12 | 70.0x53.0x1.5 |
| 28-8M-30 | 28 | 6F | St. | 71.3 | 69.93 | 75 | 50 | - | 38 | 48 | 15 | 75.0x60.0x1.5 |
| 30-8M-30 | 30 | 6F | St. | 76.39 | 75.02 | 83 | 55 | - | 38 | 48 | 15 | 83.0x68.0x1.5 |
| 32-8M-30 | 32 | 6F | St. | 81.49 | 80.12 | 87 | 60 | - | 38 | 48 | 15 | 87.0x72.0x1.5 |
| 34-8M-30 | 34 | 6F | St. | 86.58 | 85.22 | 91 | 70 | - | 38 | 48 | 15 | 91.0x73.0x1.5 |
| 36-8M-30 | 36 | 6F | St. | 91.67 | 90.3 | 97 | 75 | - | 38 | 48 | 15 | 97.0x79.0x1.5 |
| 38-8M-30 | 38 | 6F | St. | 96.77 | 95.39 | 102 | 75 | - | 38 | 48 | 15 | 102.0x82.5x1.5 |
| 40-8M-30 | 40 | 6F | St. | 101.86 | 100.49 | 106 | 75 | - | 38 | 48 | 15 | 106.0x90.0x1.5 |
| 44-8M-30 | 44 | 6F | St. | 112.05 | 110.67 | 120 | 75 | - | 38 | 48 | 15 | 120.0x99.5x1.5 |
| 48-8M-30 | 48 | 6F | St. | 122.23 | 120.86 | 128 | 75 | - | 38 | 48 | 15 | 128.0x107.0x1.5 |
| 56-8M-30 | 56 | 6WF | St. | 142.6 | 141.23 | 150 | 90 | 116 | 38 | 48 | 15 | 150.0x130.0x1.5 |
| 64-8M-30 | 64 | 6WF | St. | 162.97 | 161.6 | 168 | 90 | 137 | 38 | 48 | 15 | 168.0x148.0x1.5 |
| 72-8M-30 | 72 | 6WF | St. | 183.35 | 181.97 | 192 | 95 | 158 | 38 | 48 | 15 | 192.0x173.0x1.5 |
| 80-8M-30 | 80 | 6W | C.I. | 203.72 | 202.35 | - | 100 | 180 | 38 | 48 | 15 | - |
| 90-8M-30 | 90 | 6A | C.I. | 229.18 | 227.81 | - | 100 | 204 | 38 | 48 | 15 | - |
| 112-8M-30 | 112 | 6A | C.I. | 285.21 | 283.83 | - | 100 | 254 | 38 | 48 | 18 | - |
| 144-8M-30 | 144 | 6A | C.I. | 366.69 | 365.32 | - | 100 | 336 | 38 | 48 | 20 | - |
| 168-8M-30 | 168 | 6A | C.I. | 427.81 | 426.44 | - | 100 | 400 | 38 | 48 | 20 | - |
| 192-8M-30 | 192 | 6A | C.I. | 488.92 | 487.55 | - | 100 | 460 | 38 | 48 | 20 | - |

Notes:

Finished bore with keyway and setscrew are available upon request

Flange dimension O.D.x I.D. x thickness

8M-50 (For Omega and HTD Belts) Pilot Bore



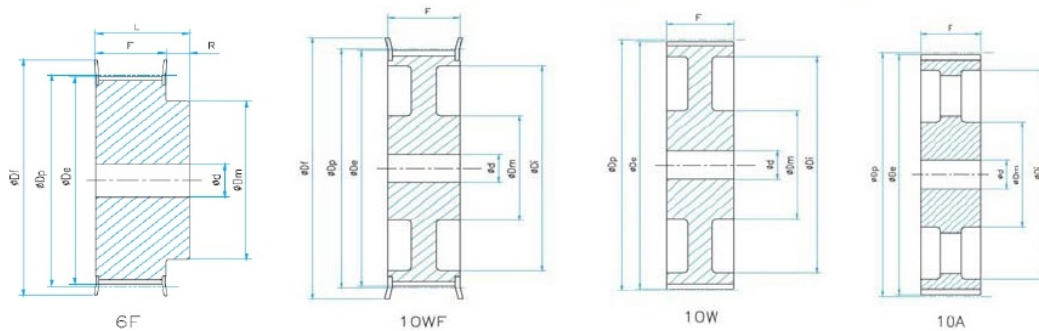
| Part No. | Teeth No. | Type | Mat'l | Dp | De | Df | Hub Dia. Dm | Di | Width F | Length L | Bore d | Flange Dimension |
|-----------|-----------|------|-------|--------|--------|-----|-------------|-----|---------|----------|--------|------------------|
| 22-8M-50 | 22 | 6F | St. | 56.02 | 54.65 | 60 | 43 | - | 60 | 70 | 12 | 60.0x47.0x1.5 |
| 24-8M-50 | 24 | 6F | St. | 61.12 | 59.75 | 66 | 45 | - | 60 | 70 | 12 | 66.0x52.0x1.5 |
| 26-8M-50 | 26 | 6F | St. | 66.21 | 64.84 | 70 | 48 | - | 60 | 70 | 15 | 70.0x53.0x1.5 |
| 28-8M-50 | 28 | 6F | St. | 71.3 | 69.93 | 75 | 50 | - | 60 | 70 | 15 | 75.0x60.0x1.5 |
| 30-8M-50 | 30 | 6F | St. | 76.39 | 75.02 | 83 | 55 | - | 60 | 70 | 15 | 83.0x68.0x1.5 |
| 32-8M-50 | 32 | 6F | St. | 81.49 | 80.12 | 87 | 60 | - | 60 | 70 | 15 | 87.0x72.0x1.5 |
| 34-8M-50 | 34 | 6F | St. | 86.58 | 85.22 | 91 | 70 | - | 60 | 70 | 15 | 91.0x73.0x1.5 |
| 36-8M-50 | 36 | 6F | St. | 91.67 | 90.3 | 97 | 75 | - | 60 | 70 | 15 | 97.0x79.0x1.5 |
| 38-8M-50 | 38 | 6F | St. | 96.77 | 95.39 | 102 | 75 | - | 60 | 70 | 15 | 102.0x82.5x1.5 |
| 40-8M-50 | 40 | 6F | St. | 101.86 | 100.49 | 106 | 75 | - | 60 | 70 | 18 | 106.0x90.0x1.5 |
| 44-8M-50 | 44 | 6F | St. | 112.05 | 110.67 | 120 | 75 | - | 60 | 70 | 18 | 120.0x99.5x1.5 |
| 48-8M-50 | 48 | 6F | St. | 122.23 | 120.86 | 128 | 75 | - | 60 | 70 | 18 | 128.0x107.0x1.5 |
| 56-8M-50 | 56 | 10WF | St. | 142.6 | 141.23 | 150 | 90 | 116 | 60 | 60 | 18 | 150.0x130.0x1.5 |
| 64-8M-50 | 64 | 10WF | St. | 162.97 | 161.6 | 168 | 90 | 137 | 60 | 60 | 18 | 168.0x148.0x1.5 |
| 72-8M-50 | 72 | 10WF | St. | 183.35 | 181.97 | 192 | 100 | 158 | 60 | 60 | 18 | 192.0x173.0x1.5 |
| 80-8M-50 | 80 | 10W | C.I. | 203.72 | 202.35 | - | 110 | 180 | 60 | 60 | 18 | - |
| 90-8M-50 | 90 | 10A | C.I. | 229.18 | 227.81 | - | 110 | 204 | 60 | 60 | 18 | - |
| 112-8M-50 | 112 | 10A | C.I. | 285.21 | 283.83 | - | 110 | 254 | 60 | 60 | 18 | - |
| 144-8M-50 | 144 | 10A | C.I. | 366.69 | 365.32 | - | 110 | 336 | 60 | 60 | 20 | - |
| 168-8M-50 | 168 | 10A | C.I. | 427.81 | 426.44 | - | 120 | 400 | 60 | 60 | 20 | - |
| 192-8M-50 | 192 | 10A | C.I. | 488.92 | 487.55 | - | 130 | 460 | 60 | 60 | 20 | - |

Notes:

Finished bore are available upon request

Flange dimension O.D.x I.D. x thickness

8M-85 (For Omega and HTD Belts) Pilot Bore



| Part No. | Teeth No. | Type | Mat'l | Dp | De | Df | Hub Dia. Dm | Di | Width F | Length L | Bore d | Flange Dimension |
|-----------|-----------|------|-------|--------|--------|-----|-------------|-----|---------|----------|--------|------------------|
| 22-8M-85 | 22 | 6F | St. | 56.02 | 54.65 | 60 | 43 | - | 95 | 105 | 12 | 60.0x47.0x1.5 |
| 24-8M-85 | 24 | 6F | St. | 61.12 | 59.75 | 66 | 45 | - | 95 | 105 | 12 | 66.0x52.0x1.5 |
| 26-8M-85 | 26 | 6F | St. | 66.21 | 64.84 | 70 | 48 | - | 95 | 105 | 12 | 70.0x53.0x1.5 |
| 28-8M-85 | 28 | 6F | St. | 71.3 | 69.93 | 75 | 50 | - | 95 | 105 | 15 | 75.0x60.0x1.5 |
| 30-8M-85 | 30 | 6F | St. | 76.39 | 75.02 | 83 | 55 | - | 95 | 105 | 15 | 83.0x68.0x1.5 |
| 32-8M-85 | 32 | 6F | St. | 81.49 | 80.12 | 87 | 60 | - | 95 | 105 | 15 | 87.0x72.0x1.5 |
| 34-8M-85 | 34 | 6F | St. | 86.58 | 85.22 | 91 | 66 | - | 95 | 105 | 15 | 91.0x73.0x1.5 |
| 36-8M-85 | 36 | 6F | St. | 91.67 | 90.3 | 97 | 70 | - | 95 | 105 | 15 | 97.0x79.0x1.5 |
| 38-8M-85 | 38 | 6F | St. | 96.77 | 95.39 | 102 | 75 | - | 95 | 105 | 15 | 102.0x82.5x1.5 |
| 40-8M-85 | 40 | 6F | St. | 101.86 | 100.49 | 106 | 75 | - | 95 | 105 | 18 | 106.0x90.0x1.5 |
| 44-8M-85 | 44 | 6F | St. | 112.05 | 110.67 | 120 | 75 | - | 95 | 105 | 18 | 120.0x99.5x1.5 |
| 48-8M-85 | 48 | 6F | St. | 122.23 | 120.86 | 128 | 80 | - | 95 | 105 | 18 | 128.0x107.0x1.5 |
| 56-8M-85 | 56 | 6F | St. | 142.6 | 141.23 | 150 | 90 | - | 95 | 105 | 18 | 150.0x130.0x1.5 |
| 64-8M-85 | 64 | 10WF | St. | 162.97 | 161.6 | 168 | 100 | 137 | 95 | 95 | 20 | 168.0x148.0x1.5 |
| 72-8M-85 | 72 | 10WF | St. | 183.35 | 181.97 | 192 | 100 | 158 | 95 | 95 | 20 | 192.0x173.0x1.5 |
| 80-8M-85 | 80 | 10W | C.I. | 203.72 | 202.35 | - | 110 | 180 | 95 | 95 | 20 | - |
| 90-8M-85 | 90 | 10A | C.I. | 229.18 | 227.81 | - | 110 | 204 | 95 | 95 | 20 | - |
| 112-8M-85 | 112 | 10A | C.I. | 285.21 | 283.83 | - | 110 | 254 | 95 | 95 | 24 | - |
| 144-8M-85 | 144 | 10A | C.I. | 366.69 | 365.32 | - | 110 | 336 | 95 | 95 | 24 | - |
| 168-8M-85 | 168 | 10A | C.I. | 427.81 | 426.44 | - | 120 | 400 | 95 | 95 | 24 | - |
| 192-8M-85 | 192 | 10A | C.I. | 488.92 | 487.55 | - | 130 | 460 | 95 | 95 | 24 | - |

Notes:

Finished bore are available upon request

Flange dimension O.D.x I.D. x thickness